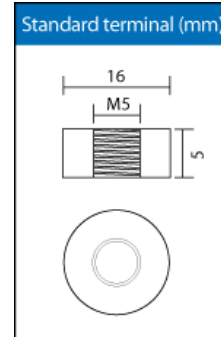
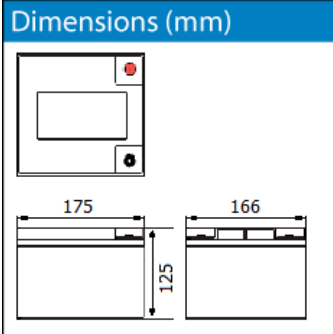


C P X 2 6 - 1 2



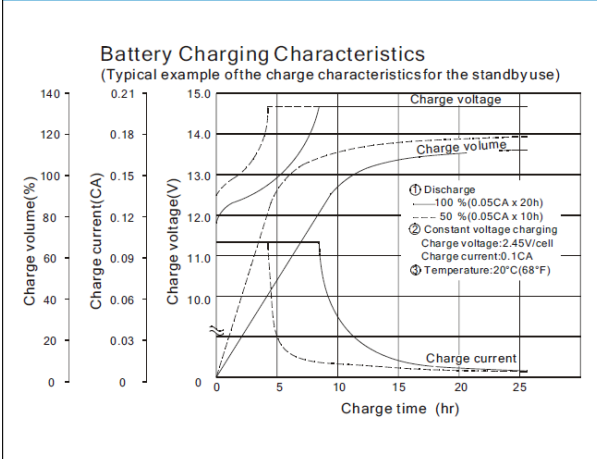
Nominal voltage	12 V DC	
Nominal Capacity (5HR, 20°C):	22 Ah	
Nominal Capacity (10HR, 20°C):	24 Ah	
Nominal Capacity (20HR, 20°C):	26 Ah	
Internal resistance	Approx. 10 m Ω	
Maximum charging current	7.80 A	
Maximum discharge current	390 A (5 sec.)	
Number of cycles	800 (50% D.O.D.)	
Operating temperature range	-20°C 50°C	
Float use/ cycle use	13.5 – 13.8V/ 14.4 – 15.0V	
Standard terminal	Threaded Insert 5mm	
Housing material	ABS	
Dimensions	length	175 mm
	width	166 mm
	height	125 mm (±1 mm)
Approx. Weight	9.60 kg	
Packing	2 pcs/box	

**Typical applications:**

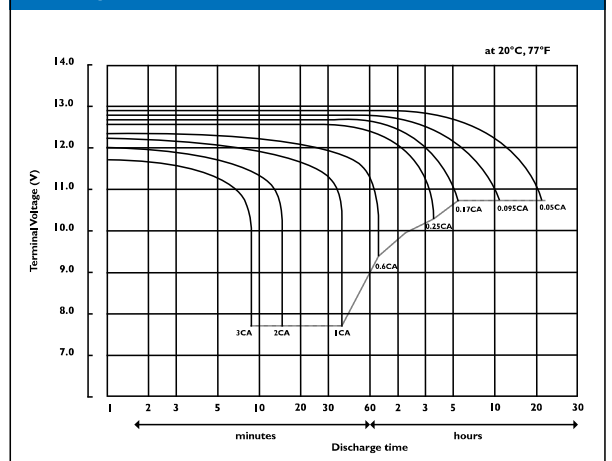
- Electric Vehicle
- Electric Wheelchairs
- E-bike
- Lawn mowers
- Golf-Carts
- Medical Equipment
- Boats

- Valve Regulated Maintenance Free
- Absorbent Glassmat Technology
- Complies with IEC61056, JIS C 8702, GB/T 19639
- Low self discharge
- Classified as non- spillable and Non Dangerous goods by IATA, FAA, ADR, IMDG
- Can be used in any orientation
- Cannot be charged while the terminal is downward.

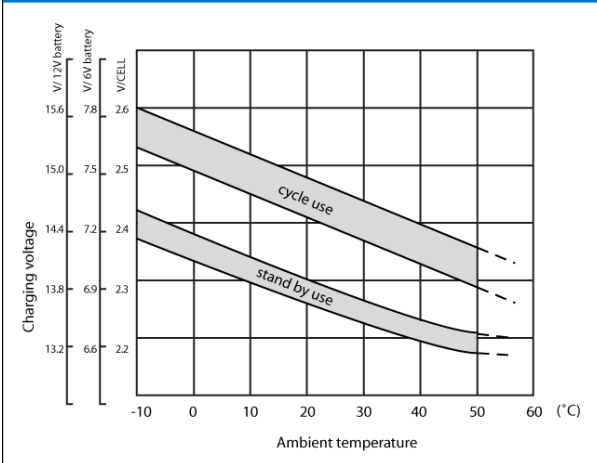
### Charging characteristics



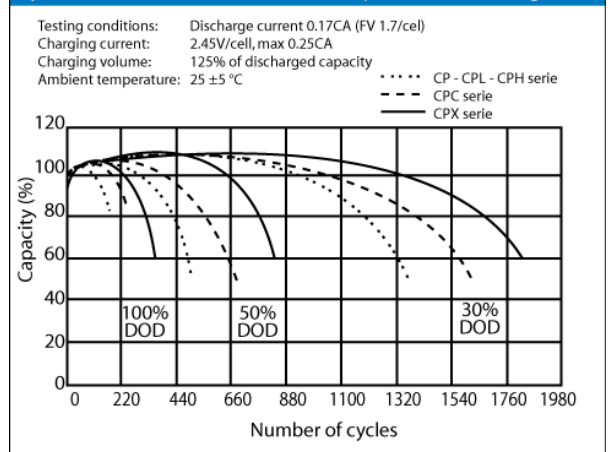
### Discharge characteristics curves



### Relationship between charging voltage and temperature



### Cycle service life in relation to depth and discharge



### Models available

Model	capacity (Ah)	Dimensions (mm)	Weight (kg)
CPX 20 - 12	20	181 x 76 x 166	6.45
CPX 26 - 12	26	175 x 166 x 125	9.60
CPX 33 - 12	33	195 x 129 x 166	11.50
CPX 50 - 12	50	197 x 165 x 171	16.50
CPX 80 - 12	80	261 x 173 x 215.5	26.00
CPX 90 - 12	90	306 x 173 x 215.5	29.80
CPX 110 - 12	110	330 x 173 x 227.5	34.30