

CPW 530-12

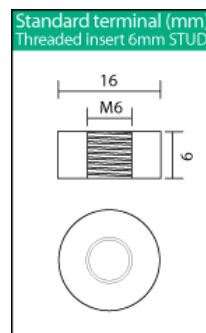
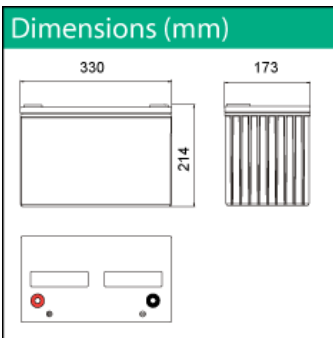


AGM High Rate,  
10 - 12 years design life

Longlife series S



5 YEARS OPTIONAL\*



Nominal voltage	12 V	
Nominal Capacity (20HR,20°C):	110 Ah (1.75V/c)	
Nominal Power (10min):	538 W/c (1.65V/c)	
Internal resistance	Approx. 3m Ω	
Maximum charging current	32.4 A	
Maximum discharge current	800 A (5 sec.)	
Operating temperature range	-20°C 50°C	
Float use/ cycle use	13.5 – 13.8V/ 14.4 – 15.0V	
Expected life (20°C)	10 – 12 years in float (EUROBAT)	
Standard terminal	Threaded insert 6mm (torque 5.5Nm+/-5%)	
Housing material	PP (UL94-HB)	
Dimensions	length	330 mm
	width	173 mm
	height	214 mm (±2 mm)
Approx. Weight	34.3 kg	
Packing	1 pcs/box	

**Typical applications:**

- UPS systems
- High current applications
- Computerized data bases
- Life support equipment
- Air traffic power stations
- Security systems

Valve Regulated Maintenance Free  
Absorbent Glassmat Technology  
Complies with IEC61056-21/22,  
JIS C 8702, GB/T 19639, UL  
Low self discharge  
Classified as non- spillable and Non  
Dangerous goods by IATA, FAA, ADR,  
IMDG

Can be discharged or stored in any  
position without leakage  
Cannot be charged while the terminal is  
downward.

**\* WARRANTY VALID FOR  
STAND-BY USE ONLY**

**Constant Current Discharge (Ampères) at 25 °C (77°F )**

F.V/TIME	5min	10min	15min	20min	25min	30min	40min	45min	50min	60min	75min	90min	120min	150min
1.75V/cell	388,7	265,2	212,7	173,6	147,9	128,33	101,44	91,80	85,56	73,94	60,40	52,56	42,04	34,81
1.70V/cell	414,3	276,2	220,0	178,4	151,6	130,78	103,89	94,02	86,78	74,80	61,10			
1.67V/cell	426,0	282,5	224,4	180,8	153,0	132,43	104,59	94,70	87,74	75,42				
1.65V/cell	430,2	284,8	226,1	182,1	154,0	133,22	105,11	95,12	88,00					

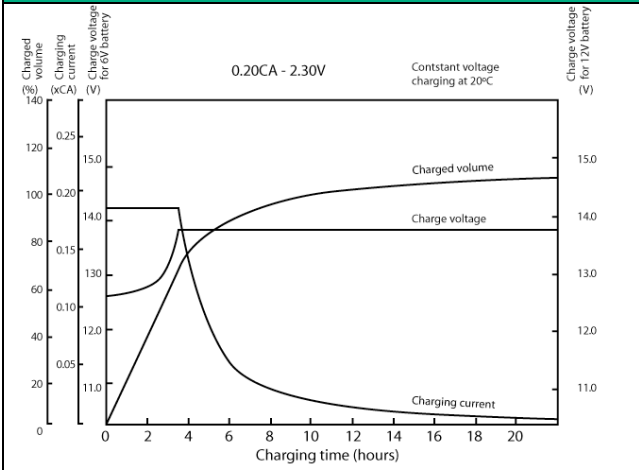
**Constant Power Discharge (Watts) at 25 °C (77°F )**

F.V/TIME	5min	10min	15min	20min	25min	30min	40min	45min	50min	60min	75min	90min	120min	150min
1.75V/cell	712	501	410	337	289	253,0	202,7	183,4	170,1	146,7	119,8	104,3	84,1	69,6
1.70V/cell	759	521	424	345	295	257,1	205,5	186,0	172,1	148,3	121,1			
1.67V/cell	782	533	430	350	298	258,4	206,9	187,4	173,4	149,5				
1.65V/cell	790	538	434	352	300	259,9	208,0	188,2	174,0					

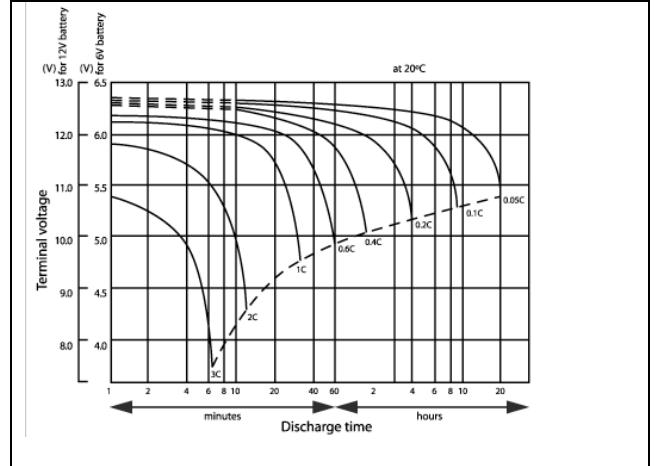
**Constant Current / Power Discharge (Ampères / Watts) at 25 °C (77°F )**

F.V/TIME	3h	4h	5h	6h	7h	8h	9h	10h	12h	20h	24h
1.75V/cell	28,86A	22,84A	18,700A	16,268A	14,195A	12,692A	11,783A	10,756A	9,026A	5,593A	4,693A
1.75V/cell	57,72W	45,69W	37,40W	32,54W	28,39W	25,38W	23,57W	21,51W	18,05W	11,19W	9,39W

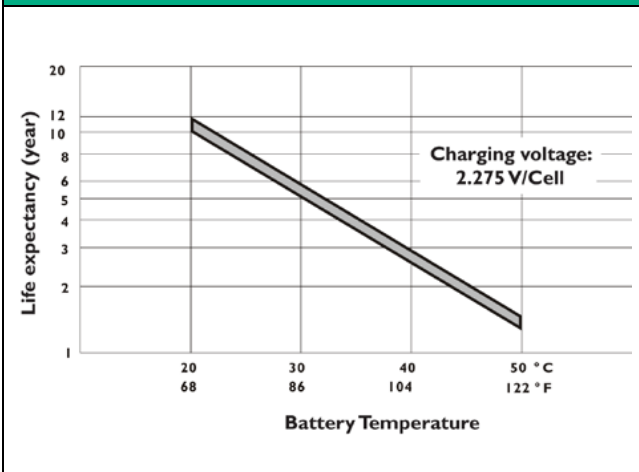
### Charging Characteristics



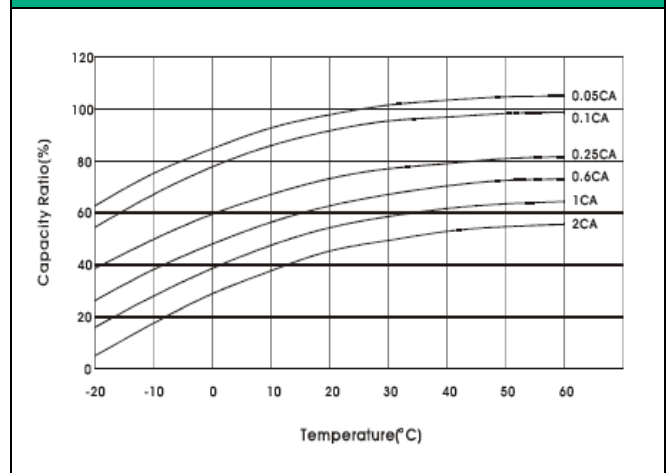
### Discharge characteristics curves



### Correlation between design life and temperature



### Influence of temperature on battery capacity



### Models available, Constant Power Discharge (Watts/cell) at 25°C (77°F) 1.75V/c – Time, Weight

model/minutes	5	10	15	20	25	30	40	45	50	60	75	90	120	150	Weight
CPW 30 – 12	42	28	20	16	14	12,3	9,3	8,5	7,8	6,8	5,6	4,8	3,8	3,1	1.80 kg
CPW 35 – 12	49	34	26	21	17	15,4	12,0	11,0	10,1	8,7	7,2	6,1	4,8	4,0	2.54 kg
CPW 35 – 12L	49	34	26	21	17	15,4	12,0	11,0	10,1	8,7	7,2	6,1	4,8	4,0	2.54 kg
CPW 50 – 12	69	45	32	27	23	20,1	15,3	13,9	12,8	11,2	9,1	7,9	6,2	5,1	2.75 kg
CPW 80 – 12	115	75	53	45	38	33,5	25,5	23,2	21,3	18,6	15,2	13,1	10,3	8,5	4.20 kg
CPW 110 – 12	169	111	78	65	56	49,2	37,4	34,0	31,2	27,3	22,3	19,2	15,1	12,5	6.50 kg
CPW 140 – 12	196	136	105	84	70	62,2	48,5	44,7	41,1	35,4	29,1	24,7	19,4	16,1	9.60 kg
CPW 160 – 12	230	159	123	97	81	72,4	56,5	52,1	47,8	41,2	33,8	28,8	22,6	18,8	11.25 kg
CPW 200 – 12	279	192	149	118	99	87,8	68,5	63,1	58,0	50,0	41,0	34,9	27,4	22,8	14.30 kg
CPW 270 – 12	356	250	205	168	145	126,5	101,3	91,7	85,0	73,3	59,9	52,2	42,0	34,8	17.80 kg
CPW 390 – 12	518	364	298	245	211	184,0	147,2	133,2	123,8	106,7	87,1	75,8	61,0	50,5	26,00 kg
CPW 450 – 12	582	410	336	276	237	207,0	165,8	150,1	139,2	120,0	98,0	85,3	68,8	57,0	29.80 kg
CPW 530 - 12	712	501	410	337	289	253,0	202,7	183,4	170,1	146,7	119,8	104,3	84,1	69,6	34.30 kg
CPW 650 – 12	754	614	503	413	355	310,5	248,8	225,1	208,8	180,0	147,0	128,0	103,2	85,4	41,10 kg
CPW 750 - 12	866	704	578	475	408	356,5	285,7	258,5	239,7	206,7	168,8	147,0	118,5	98,1	45,50 kg

\* low rate discharge (over 2h) not recommended