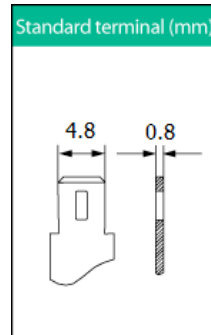
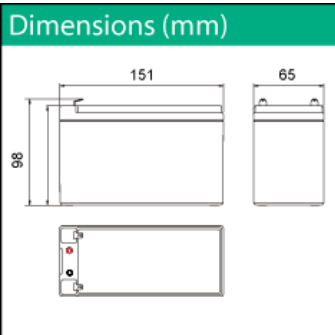


C P W 3 5 - 1 2



AGM Longlife series
10 - 12 years design life



Nominal voltage	12 V	
Nominal Capacity (20HR,20°C):	7 Ah (1.75V/c)	
Nominal Power (10min):	36 W/c (1.65V/c)	
Internal resistance	Approx. 25m Ω	
Maximum charging current	2.1 A	
Maximum discharge current	105 A (5 sec.)	
Operating temperature range	-20°C 50°C	
Float use/ cycle use	13.5 – 13.8V/ 14.4 – 15.0V	
Expected life (20°C)	10 – 12 years in float (EUROBAT)	
Standard terminal	Faston 4.8 mm	
Housing material	ABS (UL94-HB, UL94-V0 optional)	
Dimensions	length	151 mm
	width	65 mm
	height	98 mm (±2 mm)
Approx. Weight	2.54 kg	
Packing	6 pcs/box	

Typical applications:

- UPS systems
- High current applications
- Computerized data bases
- Life support equipment
- Air traffic power stations
- Security systems

- Valve Regulated Maintenance Free
- Absorbent Glassmat Technology
- Complies with IEC61056, JIS C 8702, GB/T 19639, UL
- Low self discharge
- Classified as non- spillable and Non Dangerous goods by IATA, FAA, ADR, IMDG
- Can be discharged or stored in any position without leakage
- Cannot be charged while the terminal is downward.

*** WARRANTY VALID FOR
STAND-BY USE ONLY**

Constant Current Discharge (Ampères) at 25 °C (77°F)

F.V/TIME	5min	10min	15min	20min	25min	30min	40min	45min	50min	60min	75min	90min	120min	150min
1.75V/cell	26,9	17,8	13,6	10,7	8,9	7,81	6,10	5,59	5,12	4,41	3,62	3,07	2,39	1,99
1.70V/cell	28,6	18,4	14,0	11,0	9,2	7,99	6,23	5,70	5,21	4,49	3,68			
1.67V/cell	29,3	18,6	14,2	11,1	9,3	8,06	6,28	5,74	5,25	4,52				
1.65V/cell	29,8	18,9	14,3	11,2	9,4	8,11	6,32	5,77	5,27					

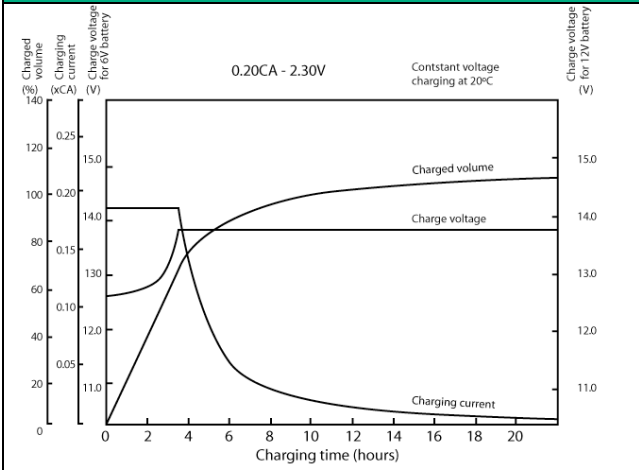
Constant Power Discharge (Watts) at 25 °C (77°F)

F.V/TIME	5min	10min	15min	20min	25min	30min	40min	45min	50min	60min	75min	90min	120min	150min
1.75V/cell	49	34	26	21	17	15,4	12,0	11,0	10,1	8,7	7,2	6,1	4,8	4,0
1.70V/cell	52	35	27	21	18	15,7	12,3	11,3	10,3	8,9	7,3			
1.67V/cell	53	35	27	21	18	15,8	12,4	11,4	10,4	9,0				
1.65V/cell	54	36	27	22	18	15,9	12,4	11,4	10,5					

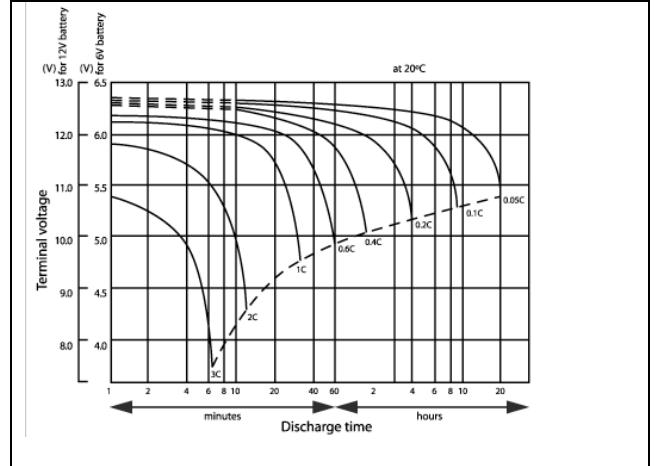
Constant Current / Power Discharge (Ampères / Watts) at 25 °C (77°F)

F.V/TIME	3h	4h	5h	6h	7h	8h	9h	10h	12h	20h	24h
1.75V/cell	1,73A	1,39A	1,190A	1,026A	0,899A	0,801A	0,725A	0,665A	0,560A	0,350A	0,295A
1.75V/cell	3,47W	2,79 W	2,38W	2,05W	1,80W	1,60W	1,45W	1,33W	1,12W	0,70W	0,59W

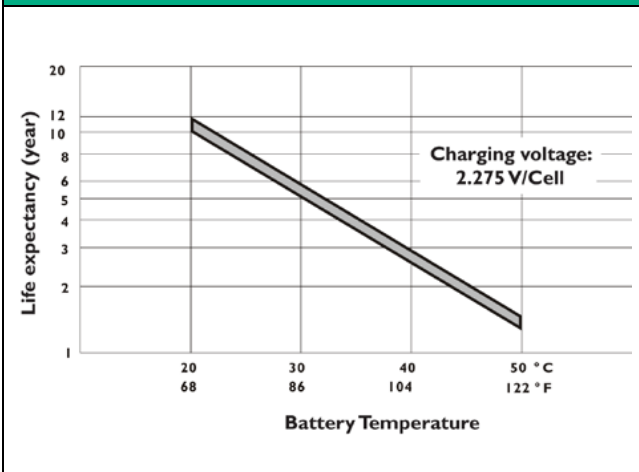
Charging Characteristics



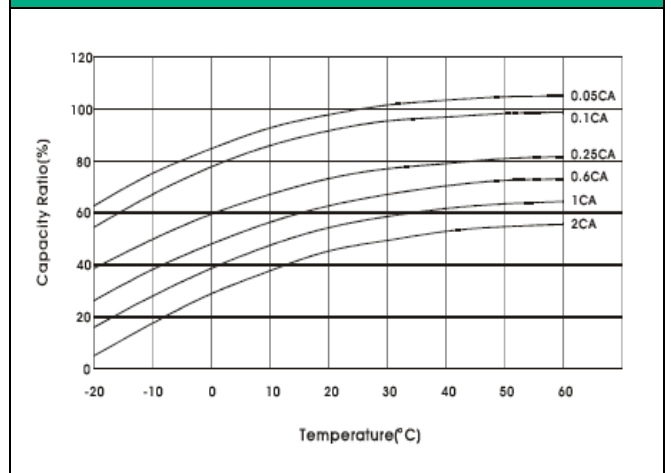
Discharge characteristics curves



Correlation between design life and temperature



Influence of temperature on battery capacity



Models available, Constant Power Discharge (Watts/cell) at 25°C (77°F) 1.75V/c – Time, Weight

model/minutes	5	10	15	20	25	30	40	45	50	60	75	90	120	150	Weight
CPW 30 – 12	42	28	20	16	14	12,3	9,3	8,5	7,8	6,8	5,6	4,8	3,8	3,1	1.80 kg
CPW 35 – 12	49	34	26	21	17	15,4	12,0	11,0	10,1	8,7	7,2	6,1	4,8	4,0	2.54 kg
CPW 35 – 12L	49	34	26	21	17	15,4	12,0	11,0	10,1	8,7	7,2	6,1	4,8	4,0	2.54 kg
CPW 50 – 12	69	45	32	27	23	20,1	15,3	13,9	12,8	11,2	9,1	7,9	6,2	5,1	2.75 kg
CPW 80 – 12	115	75	53	45	38	33,5	25,5	23,2	21,3	18,6	15,2	13,1	10,3	8,5	4.20 kg
CPW 110 – 12	169	111	78	65	56	49,2	37,4	34,0	31,2	27,3	22,3	19,2	15,1	12,5	6.50 kg
CPW 140 – 12	196	136	105	84	70	62,2	48,5	44,7	41,1	35,4	29,1	24,7	19,4	16,1	9.60 kg
CPW 160 – 12	230	159	123	97	81	72,4	56,5	52,1	47,8	41,2	33,8	28,8	22,6	18,8	11.25 kg
CPW 200 – 12	279	192	149	118	99	87,8	68,5	63,1	58,0	50,0	41,0	34,9	27,4	22,8	14.30 kg
CPW 270 – 12	356	250	205	168	145	126,5	101,3	91,7	85,0	73,3	59,9	52,2	42,0	34,8	17.80 kg
CPW 390 – 12	518	364	298	245	211	184,0	147,2	133,2	123,8	106,7	87,1	75,8	61,0	50,5	26.00 kg
CPW 450 – 12	582	410	336	276	237	207,0	165,8	150,1	139,2	120,0	98,0	85,3	68,8	57,0	29.80 kg
CPW 530 - 12	712	501	410	337	289	253,0	202,7	183,4	170,1	146,7	119,8	104,3	84,1	69,6	34.30 kg
CPW 650 – 12	754	614	503	413	355	310,5	248,8	225,1	208,8	180,0	147,0	128,0	103,2	85,4	41.10 kg
CPW 750 - 12	866	704	578	475	408	356,5	285,7	258,5	239,7	206,7	168,8	147,0	118,5	98,1	45.50 kg

* low rate discharge (over 2h) not recommended