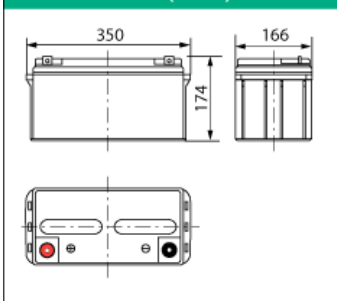


CPL 65 -12I

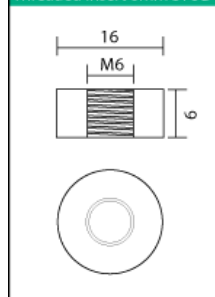


**A G M Longlife-series**  
**10 years design life**

### Dimensions (mm)



### Standard terminal (mm) Threaded insert 6mm STUD



Nominal voltage	12 V	
Nominal Capacity 20HR,20°C):	65 Ah	
Internal resistance	Approx. 7.3 m Ω	
Maximum charging current	19,5 A	
Maximum discharge current	780 A (5 sec.)	
Operating temperature range	-15°C 50°C	
Float use/ cycle use	13,5 - 13,8V/ 14,4 – 15,0V	
Expected life (20°C)	10 years in float (EUROBAT)	
Standard terminal	Threaded insert 6 mm	
Housing material	ABS	
Dimensions	length	350 mm ± 2mm
	width	167 mm ± 2mm
	height	178 mm ± 2mm
Approx. Weight	21 kg	
Packing	1 pcs/box	

### Typical applications:

- UPS and EPS systems
- Computerized data bases
- Life support equipment
- Air traffic power stations
- Security systems
- Military base

- Valve Regulated Maintenance Free
- Absorbent Glassmat Technology
- Built to comply with DIN 43534, IEC896-2, BS6290-pt.4, EUROBAT
- Low self discharge
- Classified as non- spillable and Non Dangerous goods by IATA, FAA, ADR, IMDG
- Can be discharged or stored in any position without leakage
- Cannot be charged while the terminal is downward.

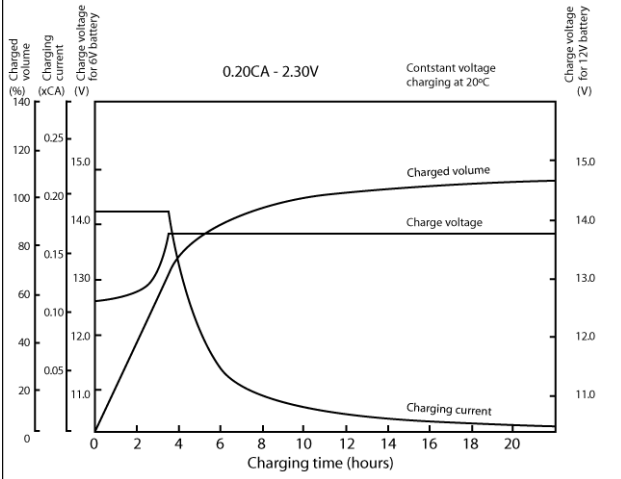
### Constant Current Discharge (Amperes) at 25 °C (77°F)

F.V/TIME	5min	10min	15min	20min	25min	30min	45min	50min	60min	90min	2h	3h	4h	5h	6h	7h	8h	9h	10h	12h	20h
1.85V/cell	97.5	76.1	64.0	56.7	50.1	47.1	36.3	33.7	31.1	23.4	20.1	15.1	12.4	10.4	9.13	8.09	7.33	6.72	6.30	5.37	3.36
1.80V/cell	113.4	87.0	71.8	62.7	54.9	51.1	39.2	36.3	32.8	25.0	21.6	16.3	13.2	11.1	9.68	8.54	7.71	7.00	6.50	5.55	3.48
1.75V/cell	129.5	98.8	80.9	69.3	60.1	55.5	42.7	39.6	35.8	26.5	22.5	16.9	13.6	11.3	9.98	8.81	7.97	7.21	6.67	5.69	3.57
1.70V/cell	146.6	111.6	89.8	76.5	66.0	60.6	46.0	42.2	37.8	28.0	23.7	17.8	14.2	12.0	10.5	9.21	8.30	7.50	6.93	5.88	3.66
1.65V/cell	157.3	119.9	96.2	81.4	69.9	64.0	48.7	44.7	39.1	29.0	24.6	18.5	14.8	12.3	10.8	9.53	8.59	7.74	7.13	6.05	3.77
1.60V/cell	175.4	131.9	105.3	88.4	75.2	68.3	50.6	46.5	40.3	29.8	25.2	19.0	15.1	12.6	11.1	9.71	8.73	7.88	7.27	6.16	3.83

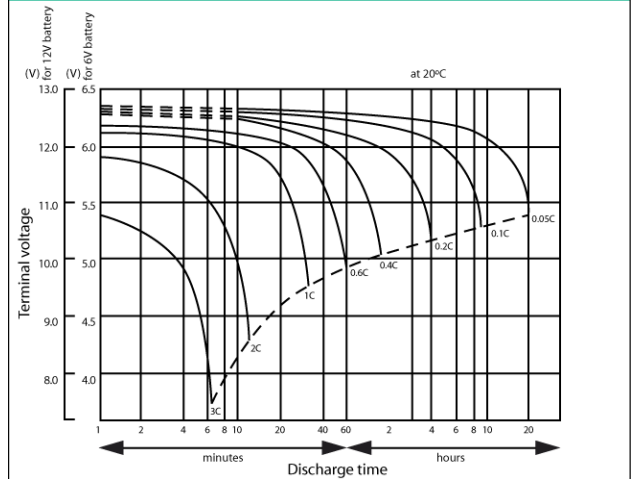
### Constant Power Discharge (Watts) at 25 °C (77°F)

F.V/TIME	5min	10min	15min	20min	25min	30min	45min	50min	60min	90min	2h	3h	4h	5h	6h	7h	8h	9h	10h	12h	20h
1.85V/cell	180.2	142.0	120.6	108.1	96.1	90.7	70.3	65.5	60.6	45.8	39.5	29.8	24.5	20.6	18.1	16.1	14.6	13.4	12.6	10.7	6.72
1.80V/cell	207.5	160.6	133.7	117.8	103.6	96.9	75.0	70.2	63.6	48.5	42.1	31.8	25.9	21.8	19.1	16.9	15.3	14.0	13.0	11.1	6.95
1.75V/cell	231.9	179.5	148.8	128.9	112.4	104.4	81.2	76.0	69.0	51.3	43.7	33.0	26.7	22.2	19.7	17.4	15.8	14.3	13.3	11.4	7.12
1.70V/cell	258.0	200.5	163.5	141.3	122.6	113.4	87.2	80.8	72.8	54.0	45.9	34.6	27.8	23.5	20.6	18.2	16.5	14.9	13.8	11.7	7.29
1.65V/cell	270.1	210.9	173.0	149.2	128.8	118.8	91.5	84.8	74.7	55.6	47.3	35.9	28.8	24.1	21.2	18.8	17.0	15.3	14.2	12.0	7.51
1.60V/cell	294.2	226.8	186.4	160.3	137.4	125.8	94.3	87.7	76.6	56.8	48.3	36.6	29.4	24.6	21.6	19.1	17.2	15.6	14.4	12.2	7.62

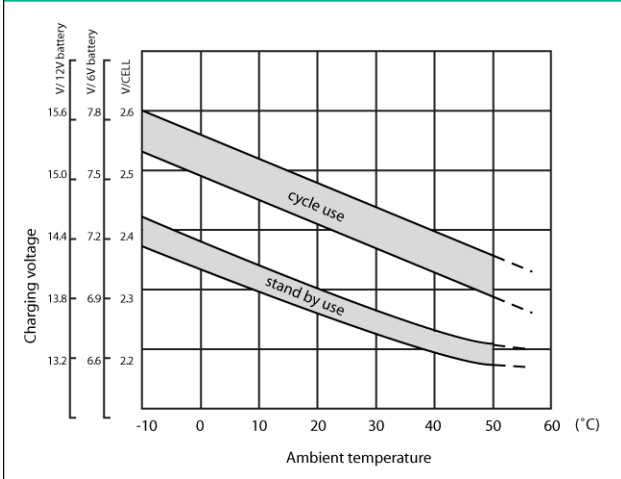
### Charging characteristics



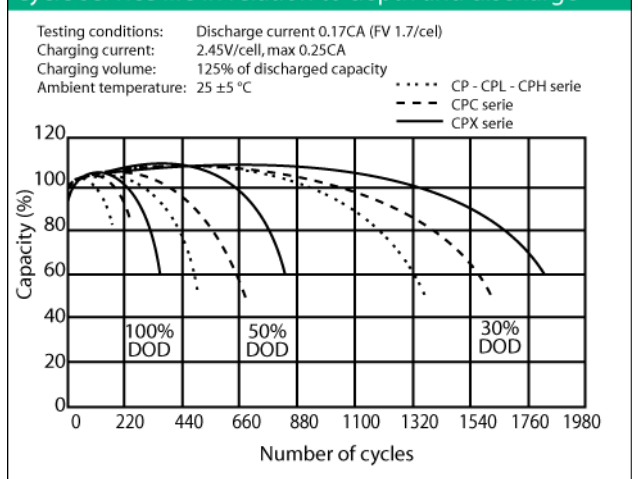
### Discharge characteristics curves



### Relationship between charging voltage and temperature



### Cycle service life in relation to depth and discharge



### Models available, Constant Power Discharge (Watts) at 25°C (77°F) 1.65V/c – Time, Weight

Model	5min	10min	15min	20min	25min	30min	50min	1h	1.5h	2h	4h	6h	8h	10h	20h	Weight
CPL 9 – 12L	53.4	37.8	29.1	24.2	20.9	18.0	11.9	10.6	7.63	6.19	3.73	2.69	2.11	1.76	0.93	2.75 kg
CPL 12 – 12	64.6	45.4	35.0	28.7	24.7	21.9	15.3	13.7	10.6	8.55	6.62	3.69	2.93	2.50	1.33	4.05 kg
CPL 18 – 12	96.9	68.0	52.6	43.1	37.1	32.8	23.0	20.6	15.9	12.8	7.97	5.54	4.40	3.75	1.99	6.0 kg
CPL 26 – 12	139.9	98.3	75.9	62.3	53.6	47.4	33.2	29.7	23.0	18.5	11.5	8.00	6.35	5.42	2.88	8.4 kg
CPL 28 – 12I	150.7	105.8	81.8	67.1	57.7	51.0	35.8	32.0	24.8	19.9	12.4	8.62	6.84	5.83	3.10	8.8 kg
CPL 28 – 12IA	150.7	105.8	81.8	67.1	57.7	51.0	35.8	32.0	24.8	19.9	12.4	8.62	6.84	5.83	3.10	9.5 kg
CPL 33 – 12*	294.3	197.0	149.6	122.2	104.1	90.1	60.3	51.9	36.8	29.0	15.6	11.1	8.67	7.39	3.82	11.7 kg
CPL 45 – 12I	187.0	146.0	119.8	103.3	89.2	81.4	58.7	51.7	38.5	32.8	19.9	14.7	11.8	9.81	5.20	14.5 kg
CPL 55 – 12I*	380.3	262.5	205.4	170.1	147.4	127.6	85.6	74.0	54.0	43.3	24.0	17.1	13.6	11.6	6.00	17.6 kg
CPL 65 – 12ID	270.1	210.9	173.0	149.2	128.8	118.8	84.8	74.7	55.6	47.3	28.8	21.2	17.0	14.2	7.51	21.0 kg
CPL 80 – 12	311.6	243.3	199.6	172.1	148.7	135.7	97.9	86.2	64.1	54.6	33.2	24.5	19.6	16.4	8.67	23.0 kg
CPL 100 – 12	415.5	324.5	266.2	229.5	198.2	180.9	130.5	115.0	85.5	72.8	44.3	32.7	26.1	21.8	11.6	32.0 kg
CPL 135 – 12	581.6	454.3	372.6	321.3	277.5	253.2	182.7	161.0	119.7	101.9	62.1	45.8	36.6	30.5	16.2	45.5 kg
CPL 150 – 12	623.2	486.7	399.2	344.2	297.3	271.3	195.8	172.5	128.3	109.2	66.5	49.0	39.2	32.7	17.3	48.2 kg
CPL 250 – 12	811.2	665.4	573.7	495.5	456.8	353.1	326.3	287.5	213.8	182	138	110.8	92.8	81.7	72.2 kg	

\* High Rate