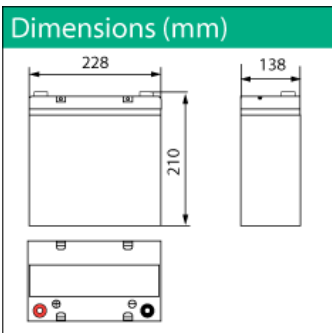


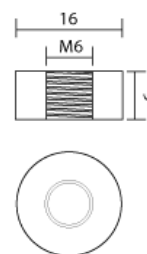
CPL 55 -12I



**A G M Longlife-series**  
**10 years design life**



**Standard terminal (mm)**  
Threaded insert 6mm STUD



Nominal voltage	12 V	
Nominal Capacity 20HR,20°C):	55 Ah	
Internal resistance	Approx. 7.5 m Ω	
Maximum charging current	16.5 A	
Maximum discharge current	660 A (5 sec.)	
Operating temperature range	-15°C 50°C	
Float use/ cycle use	13.5 - 13.8V/ 14.4 – 15.0V	
Expected life (20°C)	10 years in float (EUROBAT)	
Standard terminal	Threaded insert 6 mm	
Housing material	ABS	
Dimensions	length	228 mm (±2 mm)
	width	138 mm (±2 mm)
	height	210 mm (±2 mm)
Approx. Weight	17.6 kg	
Packing	1 pcs/box	

**Typical applications:**

- UPS and EPS systems
- Computerized data bases
- Life support equipment
- Air traffic power stations
- Security systems
- Military base

- Valve Regulated Maintenance Free
- Absorbent Glassmat Technology
- Built to comply with DIN 43534, IEC896-2, BS6290-pt.4
- Low self discharge
- Classified as non- spillable and Non Dangerous goods by IATA, FAA, ADR, IMDG
- Can be discharged or stored in any position without leakage
- Cannot be charged while the terminal is downward.

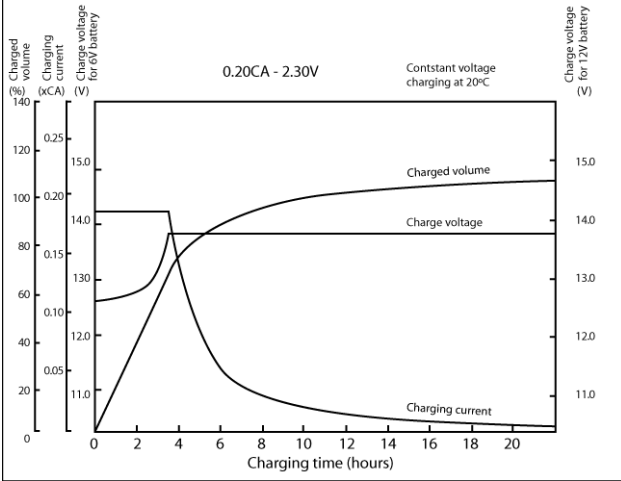
**Constant Current Discharge (Amperes) at 25 °C (77°F )**

F.V/TIME	5min	10min	15min	20min	25min	30min	45min	50min	60min	90min	2h	3h	4h	5h	6h	7h	8h	9h	10h	12h	20h
1.85V/cell	131.0	97.6	78.5	66.3	58.8	52.5	39.6	37.4	33.6	24.4	19.5	13.9	11.0	9.14	7.85	6.89	6.22	5.70	5.31	4.46	2.69
1.80V/cell	155.8	117.5	91.1	75.2	65.8	57.8	42.5	39.8	35.2	25.7	20.6	14.6	11.4	9.46	8.13	7.14	6.43	5.90	5.50	4.62	2.81
1.75V/cell	180.0	127.7	101.0	83.6	72.6	63.1	46.0	42.4	36.9	26.7	21.2	15.0	11.7	9.71	8.35	7.31	6.58	6.03	5.61	4.71	2.87
1.70V/cell	195.1	133.7	105.2	86.6	74.8	64.6	47.0	43.1	37.3	27.2	21.8	15.3	12.0	9.93	8.49	7.44	6.70	6.15	5.72	4.81	2.92
1.65V/cell	203.5	139.4	108.4	89.1	77.0	66.4	48.2	44.1	38.0	27.6	22.1	15.5	12.1	10.0	8.60	7.55	6.81	6.23	5.78	4.85	2.97
1.60V/cell	211.8	142.5	110.6	91.0	78.5	67.7	49.3	45.0	38.5	28.0	22.4	16.0	12.5	10.3	8.96	7.84	7.05	6.40	5.89	4.95	3.05

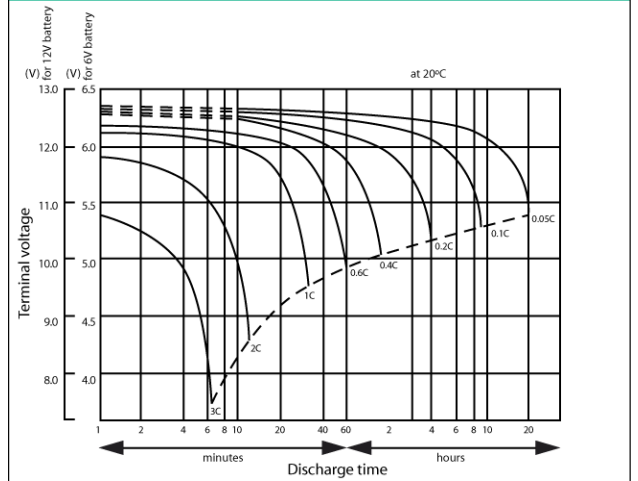
**Constant Power Discharge (Watts) at 25 °C (77°F )**

F.V/TIME	5min	10min	15min	20min	25min	30min	45min	50min	60min	90min	2h	3h	4h	5h	6h	7h	8h	9h	10h	12h	20h
1.85V/cell	254.8	190.8	154.4	131.1	116.6	104.4	79.0	74.8	67.2	49.0	39.3	28.1	22.2	18.6	16.0	14.1	12.7	11.7	10.9	9.20	5.57
1.80V/cell	299.9	227.5	177.5	147.3	129.2	113.7	84.2	78.9	70.0	51.2	41.3	29.3	23.1	19.1	16.5	14.5	13.1	12.1	11.3	9.48	5.76
1.75V/cell	343.1	244.9	194.9	162.2	141.3	123.2	90.4	83.5	72.8	52.9	42.2	29.9	23.3	19.5	16.8	14.8	13.3	12.3	11.4	9.62	5.87
1.70V/cell	367.6	253.7	200.7	166.3	144.2	124.8	91.5	84.2	73.1	53.4	42.9	30.3	23.8	19.8	17.0	14.9	13.5	12.4	11.6	9.75	5.93
1.65V/cell	380.3	262.5	205.4	170.1	147.4	127.6	93.4	85.6	74.0	54.0	43.3	30.6	24.0	19.9	17.1	15.1	13.6	12.5	11.6	9.79	6.00
1.60V/cell	391.2	265.3	207.4	172.0	148.9	128.8	94.5	86.6	74.3	54.3	43.6	31.2	24.4	20.4	17.7	15.5	14.0	12.7	11.7	9.88	6.10

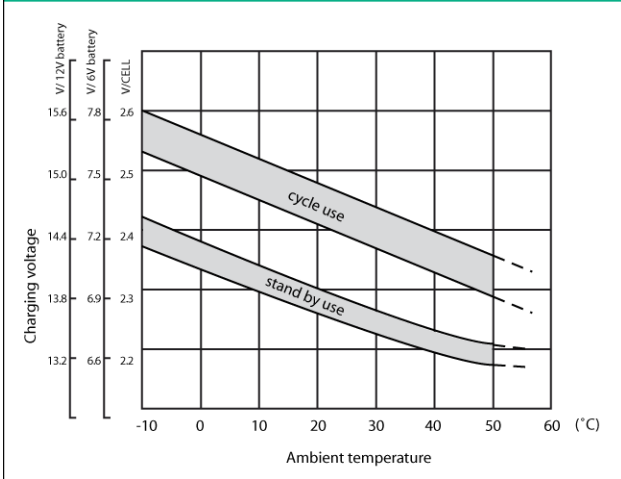
### Charging characteristics



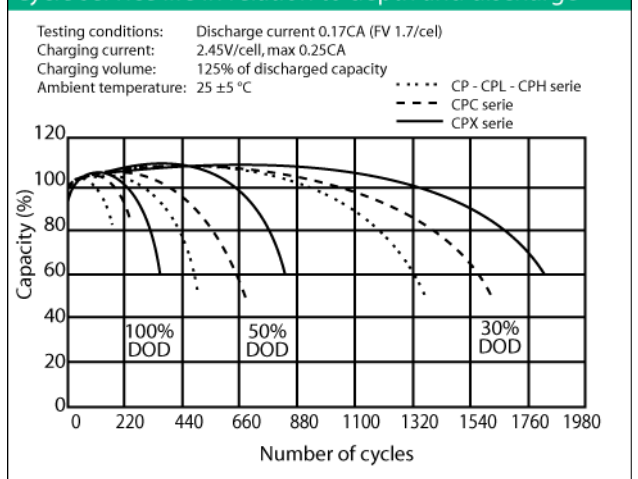
### Discharge characteristics curves



### Relationship between charging voltage and temperature



### Cycle service life in relation to depth and discharge



### Models available, Constant Power Discharge (Watts) at 25°C (77°F) 1.65V/c – Time, Weight

Model	5min	10min	15min	20min	25min	30min	50min	1h	1.5h	2h	4h	6h	8h	10h	20h	Weight
CPL 9 – 12L	53.4	37.8	29.1	24.2	20.9	18.0	11.9	10.6	7.63	6.19	3.73	2.69	2.11	1.76	0.93	2.75 kg
CPL 12 – 12	64.6	45.4	35.0	28.7	24.7	21.9	15.3	13.7	10.6	8.55	6.62	3.69	2.93	2.50	1.33	4.05 kg
CPL 18 – 12	96.9	68.0	52.6	43.1	37.1	32.8	23.0	20.6	15.9	12.8	7.97	5.54	4.40	3.75	1.99	6.0 kg
CPL 26 – 12	139.9	98.3	75.9	62.3	53.6	47.4	33.2	29.7	23.0	18.5	11.5	8.00	6.35	5.42	2.88	8.4 kg
CPL 28 – 12I	150.7	105.8	81.8	67.1	57.7	51.0	35.8	32.0	24.8	19.9	12.4	8.62	6.84	5.83	3.10	8.8 kg
CPL 28 – 12IA	150.7	105.8	81.8	67.1	57.7	51.0	35.8	32.0	24.8	19.9	12.4	8.62	6.84	5.83	3.10	9.5 kg
CPL 33 – 12*	294.3	197.0	149.6	122.2	104.1	90.1	60.3	51.9	36.8	29.0	15.6	11.1	8.67	7.39	3.82	11.7 kg
CPL 45 – 12I	187.0	146.0	119.8	103.3	89.2	81.4	58.7	51.7	38.5	32.8	19.9	14.7	11.8	9.81	5.20	14.5 kg
CPL 55 – 12I*	380.3	262.5	205.4	170.1	147.4	127.6	85.6	74.0	54.0	43.3	24.0	17.1	13.6	11.6	6.00	17.6 kg
CPL 65 – 12I	270.1	210.9	173.0	149.2	128.8	118.8	84.8	74.7	55.6	47.3	28.8	21.2	17.0	14.2	7.51	21.0 kg
CPL 80 – 12	311.6	243.3	199.6	172.1	148.7	135.7	97.9	86.2	64.1	54.6	33.2	24.5	19.6	16.4	8.67	23.0 kg
CPL 100 – 12	415.5	324.5	266.2	229.5	198.2	180.9	130.5	115.0	85.5	72.8	44.3	32.7	26.1	21.8	11.6	32.0 kg
CPL 135 – 12	581.6	454.3	372.6	321.3	277.5	253.2	182.7	161.0	119.7	101.9	62.1	45.8	36.6	30.5	16.2	45.5 kg
CPL 150 – 12	623.2	486.7	399.2	344.2	297.3	271.3	195.8	172.5	128.3	109.2	66.5	49.0	39.2	32.7	17.3	48.2 kg
CPL 250 – 12	811.2	665.4	573.7	495.5	456.8	353.1	326.3	287.5	213.8	182	138	110.8	92.8	81.7	72.2 kg	

\* High Rate