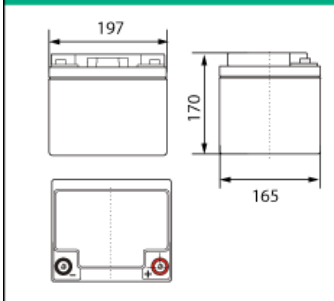


CPL 45 -12I

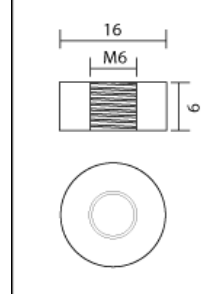


A G M Longlife-series
10 years design life

Dimensions (mm)



Standard terminal (mm) Threaded insert 6mm STUD



Nominal voltage	12 V	
Nominal Capacity 20HR,20°C):	45 Ah	
Internal resistance	Approx. 9.0 m Ω	
Maximum charging current	13.5 A	
Maximum discharge current	540 A (5 sec.)	
Operating temperature range	-15°C 50°C	
Float use/ cycle use	13.5 - 13.8V/ 14.4 – 15.0V	
Expected life (20°C)	10 years in float (EUROBAT)	
Standard terminal	Threaded insert 6 mm	
Housing material	ABS	
Dimensions	length	197 mm (±1 mm)
	width	165 mm (±1 mm)
	height	170 mm (±1 mm)
Approx. Weight	14.5 kg	
Packing	1 pcs/box	

Typical applications:

- UPS and EPS systems
- Computerized data bases
- Life support equipment
- Air traffic power stations
- Security systems
- Military base

- Valve Regulated Maintenance Free
- Absorbent Glassmat Technology
- Built to comply with DIN 43534, IEC896-2, BS6290-pt.4
- Low self discharge
- Classified as non- spillable and Non Dangerous goods by IATA, FAA, ADR, IMDG
- Can be discharged or stored in any position without leakage
- Cannot be charged while the terminal is downward.

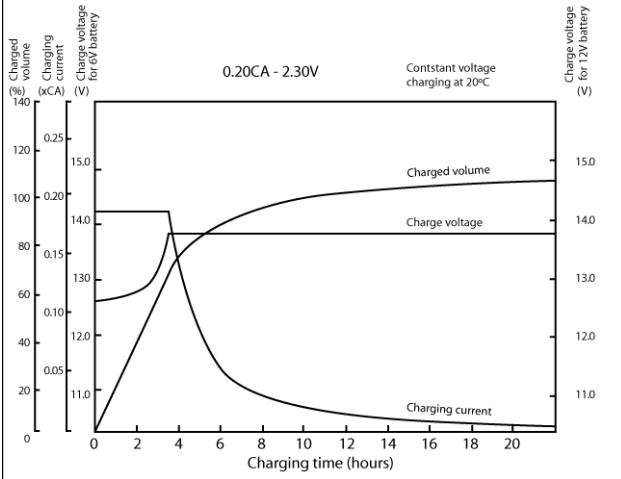
Constant Current Discharge (Amperes) at 25 °C (77°F)

F.V/TIME	5min	10min	15min	20min	25min	30min	45min	50min	60min	90min	2h	3h	4h	5h	6h	7h	8h	9h	10h	12h	20h
1.85V/cell	67.5	52.7	44.3	39.3	34.7	32.3	25.1	23.3	21.5	16.2	13.9	10.5	8.58	7.22	6.32	5.60	5.07	4.65	4.36	3.72	2.33
1.80V/cell	78.5	60.2	49.7	43.4	38.0	35.0	27.1	25.1	22.7	17.3	15.0	11.3	9.12	7.65	6.70	5.91	5.34	4.85	4.50	3.84	2.41
1.75V/cell	89.7	68.4	56.0	48.0	41.6	38.1	29.6	27.4	24.8	18.4	15.6	11.7	9.43	7.83	6.91	6.10	5.52	4.99	4.62	3.94	2.47
1.70V/cell	101.5	77.3	62.2	53.0	45.7	41.6	31.9	29.2	26.2	19.4	16.4	12.3	9.86	8.28	7.24	6.38	5.75	5.19	4.80	4.07	2.53
1.65V/cell	108.9	83.0	66.6	56.4	48.4	43.9	33.7	31.0	27.1	20.1	17.0	12.8	10.2	8.54	7.49	6.59	5.94	5.36	4.93	4.19	2.61
1.60V/cell	121.4	91.3	72.9	61.2	52.0	46.8	35.0	32.2	27.9	20.6	17.4	13.1	10.5	8.75	7.65	6.72	6.05	5.46	5.04	4.27	2.65

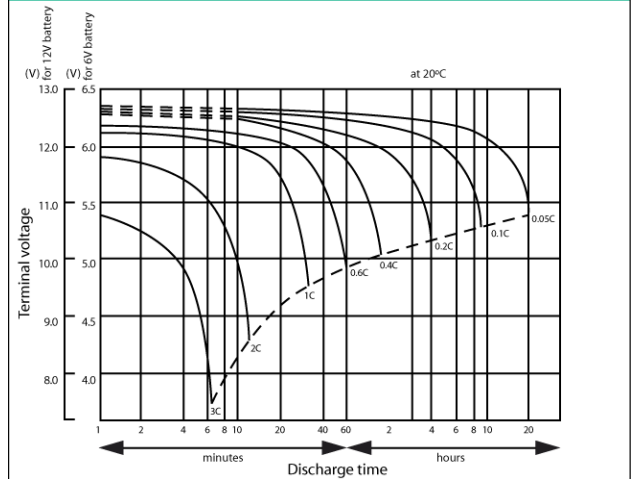
Constant Power Discharge (Watts) at 25 °C (77°F)

F.V/TIME	5min	10min	15min	20min	25min	30min	45min	50min	60min	90min	2h	3h	4h	5h	6h	7h	8h	9h	10h	12h	20h
1.85V/cell	124.8	98.3	83.5	74.8	66.5	62.1	48.7	45.3	41.9	31.7	27.3	20.6	16.9	14.3	12.6	11.1	10.1	9.29	8.72	7.44	4.66
1.80V/cell	143.6	111.2	92.5	81.5	71.7	66.4	51.9	48.6	44.0	33.6	29.2	22.0	17.9	15.1	13.3	11.7	10.6	9.66	8.98	7.67	4.81
1.75V/cell	160.6	124.3	103.0	89.3	77.8	71.6	56.2	52.6	47.8	35.5	30.2	22.8	18.5	15.4	13.6	12.1	10.9	9.93	9.21	7.86	4.93
1.70V/cell	178.6	138.8	113.2	97.8	84.9	77.8	60.3	55.9	50.4	37.4	31.8	24.0	19.3	16.2	14.3	12.6	11.4	10.3	9.56	8.11	5.05
1.65V/cell	187.0	146.0	119.8	103.3	89.2	81.4	63.3	58.7	51.7	38.5	32.8	24.8	19.9	16.7	14.7	13.0	11.8	10.6	9.81	8.34	5.20
1.60V/cell	203.7	157.0	129.0	111.0	95.1	86.3	65.3	60.7	53.0	39.3	33.4	25.4	20.3	17.0	15.0	13.2	11.9	10.8	10.0	8.5	5.28

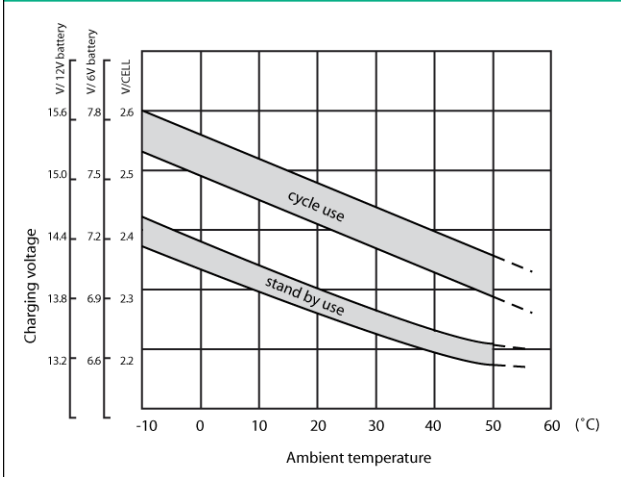
Charging characteristics



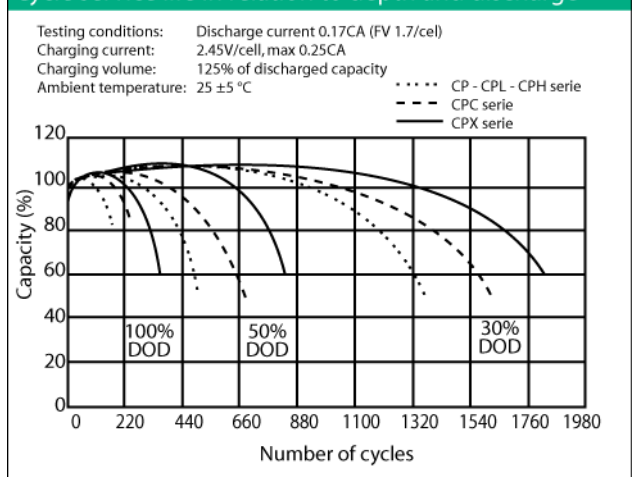
Discharge characteristics curves



Relationship between charging voltage and temperature



Cycle service life in relation to depth and discharge



Models available, Constant Power Discharge (Watts) at 25°C (77°F) 1.65V/c – Time, Weight

Model	5min	10min	15min	20min	25min	30min	50min	1h	1.5h	2h	4h	6h	8h	10h	20h	Weight
CPL 9 – 12L	53.4	37.8	29.1	24.2	20.9	18.0	11.9	10.6	7.63	6.19	3.73	2.69	2.11	1.76	0.93	2.75 kg
CPL 12 – 12	64.6	45.4	35.0	28.7	24.7	21.9	15.3	13.7	10.6	8.55	6.62	3.69	2.93	2.50	1.33	4.05 kg
CPL 18 – 12	96.9	68.0	52.6	43.1	37.1	32.8	23.0	20.6	15.9	12.8	7.97	5.54	4.40	3.75	1.99	6.0 kg
CPL 26 – 12	139.9	98.3	75.9	62.3	53.6	47.4	33.2	29.7	23.0	18.5	11.5	8.00	6.35	5.42	2.88	8.4 kg
CPL 28 – 12I	150.7	105.8	81.8	67.1	57.7	51.0	35.8	32.0	24.8	19.9	12.4	8.62	6.84	5.83	3.10	8.8 kg
CPL 28 – 12IA	150.7	105.8	81.8	67.1	57.7	51.0	35.8	32.0	24.8	19.9	12.4	8.62	6.84	5.83	3.10	9.5 kg
CPL 33 – 12*	294.3	197.0	149.6	122.2	104.1	90.1	60.3	51.9	36.8	29.0	15.6	11.1	8.67	7.39	3.82	11.7 kg
CPL 45 – 12I	187.0	146.0	119.8	103.3	89.2	81.4	58.7	51.7	38.5	32.8	19.9	14.7	11.8	9.81	5.20	14.5 kg
CPL 55 – 12I*	380.3	262.5	205.4	170.1	147.4	127.6	85.6	74.0	54.0	43.3	24.0	17.1	13.6	11.6	6.00	17.6 kg
CPL 65 – 12I	270.1	210.9	173.0	149.2	128.8	118.8	84.8	74.7	55.6	47.3	28.8	21.2	17.0	14.2	7.51	21.0 kg
CPL 80 – 12	311.6	243.3	199.6	172.1	148.7	135.7	97.9	86.2	64.1	54.6	33.2	24.5	19.6	16.4	8.67	23.0 kg
CPL 100 – 12	415.5	324.5	266.2	229.5	198.2	180.9	130.5	115.0	85.5	72.8	44.3	32.7	26.1	21.8	11.6	32.0 kg
CPL 135 – 12	581.6	454.3	372.6	321.3	277.5	253.2	182.7	161.0	119.7	101.9	62.1	45.8	36.6	30.5	16.2	45.5 kg
CPL 150 – 12	623.2	486.7	399.2	344.2	297.3	271.3	195.8	172.5	128.3	109.2	66.5	49.0	39.2	32.7	17.3	48.2 kg
CPL 250 – 12	811.2	665.4	573.7	495.5	456.8	353.1	326.3	287.5	213.8	182	138	110.8	92.8	81.7	72.2 kg	

* High Rate