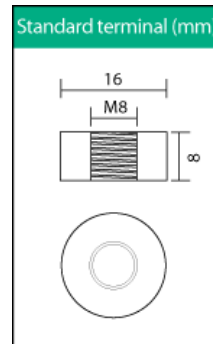
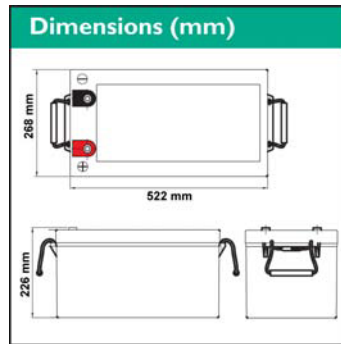


**CPL 250-12**



**AGM Longlife-series  
10 years design life**



Nominal voltage	12 V	
Nominal Capacity 20HR,20 C):	250 Ah	
Internal resistance	Approx. 2.5 m Ω	
Maximum charging current	75.0 A	
Maximum discharge current	2500 A (5 sec.)	
Operating temperature range	-15 C 50 C	
Float use/ cycle use	13.5 - 13.8V/ 14.4 – 15.0V	
Expected life (20 C)	10 years in float (EUROBAT)	
Standard terminal	Threaded insert 8 mm	
Housing material	ABS	
Dimensions	length	522 mm ( ± 2 mm)
	width	268 mm ( ± 2 mm)
	height	226 mm (±2 mm)
Approx. Weight	77.0 kg	
Packing	1 pcs/box	

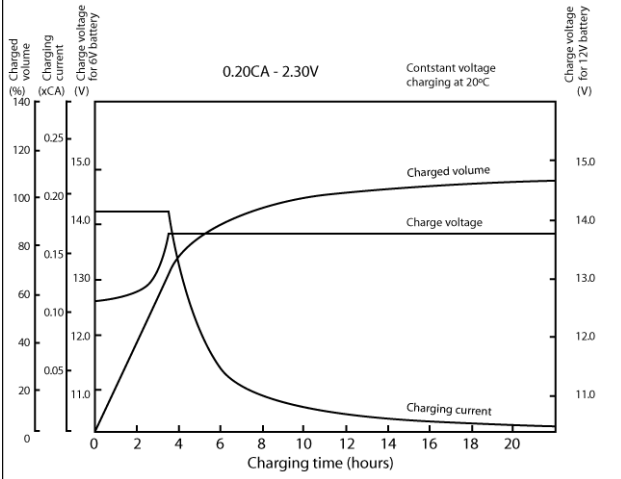
**Typical applications :**  
 UPS and EPS systems  
 Computerized data bases  
 Life support equipment  
 Air traffic power stations  
 Security systems  
 Military base

Valve Regulated Maintenance Free  
 Absorbent Glassmat Technology  
 Built to comply with DIN 43534, IEC896-2, BS6290-pt.4  
 Low self discharge  
 Classified as non- spillable and Non Dangerous goods by IATA, FAA, ADR, IMDG  
 Can be discharged or stored in any position without leakage  
 Cannot be charged while the terminal is downward.

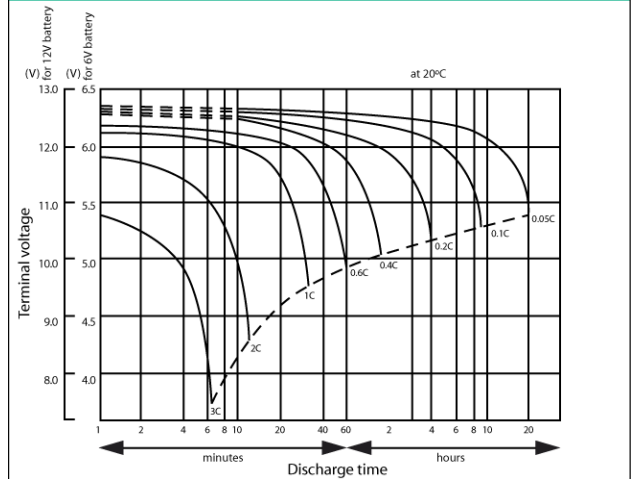
Constant Current Discharge (Amperes) at 25 °C (77°F)																					
F.V/TIME	5min	10min	15min	20min	25min	30min	45min	50min	60min	90min	2h	3h	4h	5h	6h	7h	8h	9h	10h	12h	20h
1.85V/cell	375	292.5	246	218.3	192.8	181	139.7	129.5	119.5	90	77.4	58.2	47.7	40.1	35.1	31.2	28.2	25.8	24.2	20.7	12.9
1.80V/cell	436.3	334.7	276.2	241.3	211.2	196.6	150.7	139.7	126.1	96	83.2	62.5	50.7	42.5	37.2	32.8	29.7	27	25	21.3	13.4
1.75V/cell		380.1	311.3	266.7	231.2	213.6	164.3	152.3	137.5	102	86.5	65	52.4	43.5	38.4	33.8	30.7	27.7	25.7	21.8	13.7
1.70V/cell		429.3	345.4	294.3	253.7	233.2	177	162.5	145.5	107.7	91.1	68.4	54.8	46	40.2	35.5	31.9	28.8	26.7	22.7	14.1
1.65V/cell		461	369.8	313.1	268.7	246.1	187.3	172	150.5	111.5	94.5	71.2	56.9	47.5	41.6	36.7	33	29.8	27.4	23.3	14.5
1.60V/cell			405.1	340.2	289.2	262.6	194.7	178.7	155	114.5	96.9	73	58.2	48.6	42.5	37.3	33.6	30.3	28	23.7	14.7

Constant Power Discharge (Watts) at 25 °C (77°F)																					
F.V/TIME	5min	10min	15min	20min	25min	30min	45min	50min	60min	90min	2h	3h	4h	5h	6h	7h	8h	9h	10h	12h	20h
1.85V/cell	693.2	546.2	464	415.8	369.5	348.6	271.3	251.8	232.9	176	151.8	114.6	94.1	79.4	69.8	61.8	56.2	51.7	48.4	41.3	25.9
1.80V/cell	798	617.7	514.1	453	398.5	372.9	290.4	270	244.5	186.7	162.1	122.4	99.5	83.8	73.6	65.2	59	53.7	49.9	42.7	26.7
1.75V/cell		690.4	572.3	495.9	432.5	401.9	313.7	292.3	265.3	197.3	168	126.8	102.6	85.5	75.7	67	60.8	55.2	51.2	43.7	27.4
1.70V/cell		762.3	626.2	543.3	471.5	436.4	336.7	310.8	279.9	207.8	176.6	133.2	107	90.2	79.2	70	63.3	57.3	53.1	45	28
1.65V/cell		811.2	665.4	573.7	495.5	456.8	353.1	326.3	287.5	213.8	182	138	110.8	92.8	81.7	72.2	65.3	59	54.5	46.3	28.9
1.60V/cell			716.9	616.5	528.5	484	365	337.3	294.5	218.5	185.7	140.9	112.9	94.7	83.2	73.3	66.3	60	55.6	47.2	29.3

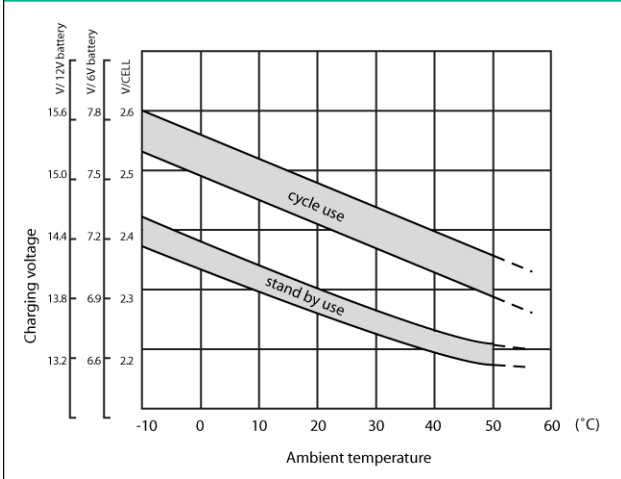
### Charging characteristics



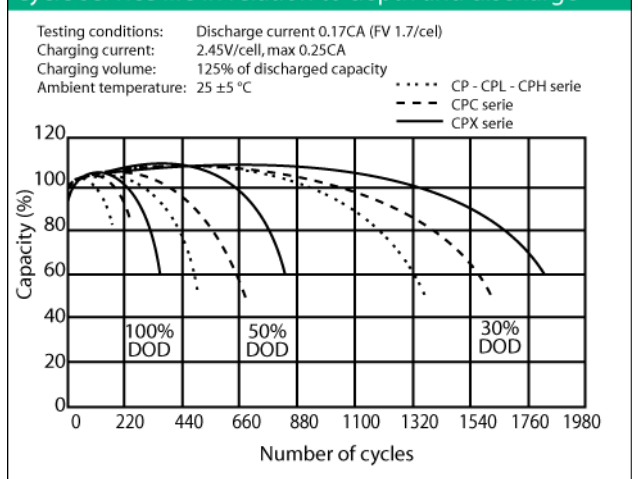
### Discharge characteristics curves



### Relationship between charging voltage and temperature



### Cycle service life in relation to depth and discharge



### Models available, Constant Power Discharge (Watts) at 25°C (77°F) 1.65V/c – Time, Weight

Model	5min	10min	15min	20min	25min	30min	50min	1h	1.5h	2h	4h	6h	8h	10h	20h	Weight
CPL 9 – 12L	53.4	37.8	29.1	24.2	20.9	18.0	11.9	10.6	7.63	6.19	3.73	2.69	2.11	1.76	0.93	2.75 kg
CPL 12 – 12	64.6	45.4	35.0	28.7	24.7	21.9	15.3	13.7	10.6	8.55	6.62	3.69	2.93	2.50	1.33	4.05 kg
CPL 18 – 12	96.9	68.0	52.6	43.1	37.1	32.8	23.0	20.6	15.9	12.8	7.97	5.54	4.40	3.75	1.99	6.0 kg
CPL 26 – 12	139.9	98.3	75.9	62.3	53.6	47.4	33.2	29.7	23.0	18.5	11.5	8.00	6.35	5.42	2.88	8.4 kg
CPL 28 – 12I	150.7	105.8	81.8	67.1	57.7	51.0	35.8	32.0	24.8	19.9	12.4	8.62	6.84	5.83	3.10	8.8 kg
CPL 28 – 12IA	150.7	105.8	81.8	67.1	57.7	51.0	35.8	32.0	24.8	19.9	12.4	8.62	6.84	5.83	3.10	9.5 kg
CPL 33 – 12*	294.3	197.0	149.6	122.2	104.1	90.1	60.3	51.9	36.8	29.0	15.6	11.1	8.67	7.39	3.82	11.7 kg
CPL 45 – 12I	187.0	146.0	119.8	103.3	89.2	81.4	58.7	51.7	38.5	32.8	19.9	14.7	11.8	9.81	5.20	14.5 kg
CPL 55 – 12I*	380.3	262.5	205.4	170.1	147.4	127.6	85.6	74.0	54.0	43.3	24.0	17.1	13.6	11.6	6.00	17.6 kg
CPL 65 – 12I	270.1	210.9	173.0	149.2	128.8	118.8	84.8	74.7	55.6	47.3	28.8	21.2	17.0	14.2	7.51	21.0 kg
CPL 80 – 12	311.6	243.3	199.6	172.1	148.7	135.7	97.9	86.2	64.1	54.6	33.2	24.5	19.6	16.4	8.67	23.0 kg
CPL 100 – 12	415.5	324.5	266.2	229.5	198.2	180.9	130.5	115.0	85.5	72.8	44.3	32.7	26.1	21.8	11.6	32.0 kg
CPL 135 – 12	581.6	454.3	372.6	321.3	277.5	253.2	182.7	161.0	119.7	101.9	62.1	45.8	36.6	30.5	16.2	45.5 kg
CPL 150 – 12	623.2	486.7	399.2	344.2	297.3	271.3	195.8	172.5	128.3	109.2	66.5	49.0	39.2	32.7	17.3	48.2 kg
CPL 250 – 12	811.2	665.4	573.7	495.5	456.8	353.1	326.3	287.5	213.8	182	138	110.8	92.8	81.7	72.2 kg	72.2 kg

\* High Rate