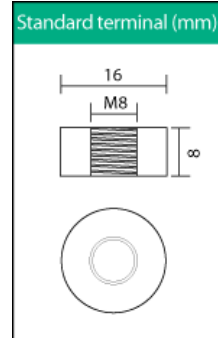
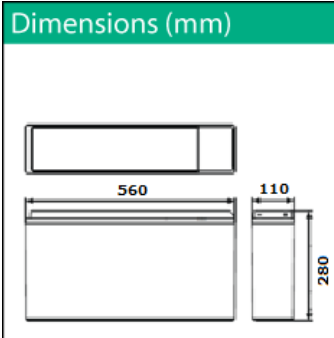


CPF 155-12



**AGM Longlife-series
12 years design life**



Nominal voltage	12 V	
Nominal Capacity 10HR,20 C):	155 Ah	
Internal resistance	Approx. 3.0 m Ω	
Maximum charging current	45 A	
Maximum discharge current	1200 A (5 sec.)	
Operating temperature range	-15 C 50 C	
Float use/ cycle use	13.5 - 13.8V/ 14.4 – 15.0V	
Expected life (20 C)	12 years in float (EUROBAT)	
Standard terminal	Threaded insert 6 mm	
Housing material	ABS	
Dimensions	length	560 mm (± 2 mm)
	width	110 mm (± 2 mm)
	height	280 mm (±2 mm)
Approx. Weight	46.0 kg	
Packing	1 pcs/box	

Typical applications :
 UPS and EPS systems
 Computerized data bases
 Life support equipment
 Air traffic power stations
 Security systems
 Military base

Valve Regulated Maintenance Free
 Absorbent Glassmat Technology
 Low self discharge
 Classified as non- spillable and Non
 Dangerous goods by IATA, FAA, ADR,
 IMDG
 Can be discharged or stored in any
 position without leakage
 Cannot be charged while the terminal is
 downward.

Constant Current Discharge (Amperes) at 25 °C (77°F)

F.V/TIME	10min	15min	20min	30min	45min	60min	2h	3h	4h	5h	6h	8h	10h	20h
1.85V/cell	260.9	217.5	186.6	146.4	113.5	92.3	55	39.6	31.8	26.3	22.9	17.85	14.89	7.89
1.80V/cell	295.8	242.4	206.6	160.2	122.1	98.5	58	42.2	33.5	27.7	24.1	18.75	15.57	8.25
1.75V/cell	324.6	262.3	220.4	168.3	126.8	102	59.2	42.8	34.3	28.3	24.5	18.98	15.75	8.37
1.70V/cell	347.2	276.3	229.3	173.2	129.7	103.4	60	43.3	34.5	28.5	24.8	19.25	15.9	8.43
1.67V/cell	359.3	283.1	234.1	175.4	130.2	103.8	60.2	43.5	34.8	28.8	25.1	19.5	16.05	8.48
1.60V/cell	377.7	294	244.5	179.9	133.6	106.5	61.2	44.4	35.6	29.6	25.5	19.95	16.35	8.52

Constant Current Discharge (Watts) at 25 °C (77°F)

F.V/TIME	10min	15min	20min	30min	45min	60min	2h	3h	4h	5h	6h	8h	10h	20h
1.85V/cell	487.1	410.2	355.5	281.9	220.4	179.8	108	78	62.8	52.2	45.5	35.6	29.8	15.78
1.80V/cell	545.8	451	387.8	303.8	235.3	190.9	113.1	82.6	65.8	54.6	47.6	37.3	31.1	16.48
1.75V/cell	589.5	482.2	409.9	316.6	242	196.8	114.9	83.5	67.2	55.7	48.2	37.6	31.4	16.7
1.70V/cell	616.5	500.9	423.2	324.1	246.7	198.8	116.2	84.2	67.5	55.8	48.7	38.1	31.7	16.81
1.67V/cell	635.4	511.2	430.2	327.6	246.8	199.2	116.4	84.5	67.9	56.4	49.2	38.6	31.9	16.88
1.60V/cell	649.5	520.3	443.1	331.5	250.5	202.4	117.3	85.7	69	57.6	49.9	39.4	32.5	16.95