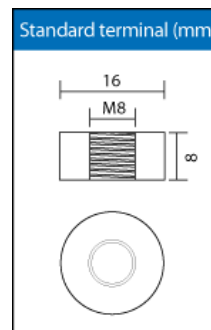
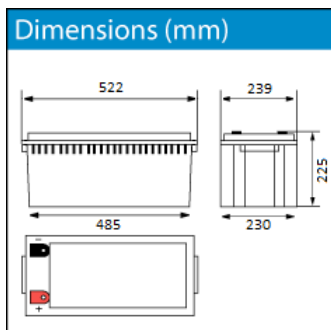


CPC 200 - 12I

**Cyclic battery**

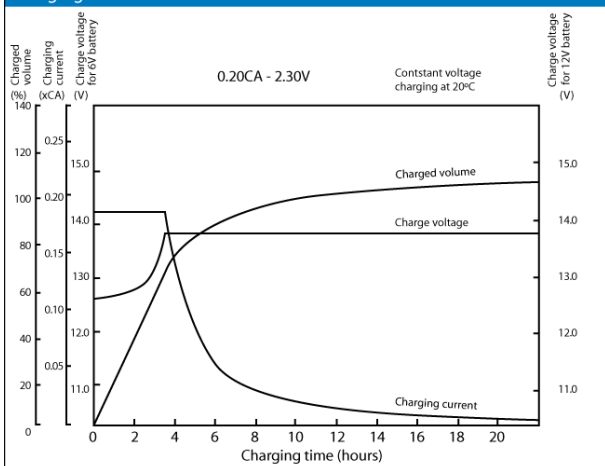


Nominal voltage	12 V DC	
Nominal Capacity (10HR,20°C):	200 Ah	
Nominal Capacity (20HR,20°C):	212 Ah	
Internal resistance	Approx. 2.7 m Ω	
Maximum charging current	53 A	
Maximum discharge current	2140 A (5 sec.)	
Operating temperature range	-20°C 50°C	
Float use/ cycle use	13.6 – 13.8V/ 14.5 – 14.9V	
Standard terminal	Threaded Insert 8mm Optional automotive terminal (±2mm)	
Housing material	ABS	
Dimensions	length	522 mm
	width	239 mm
	height	225 mm (±1 mm)
Approx. Weight	61 kg	
Packing	1 pcs/box	

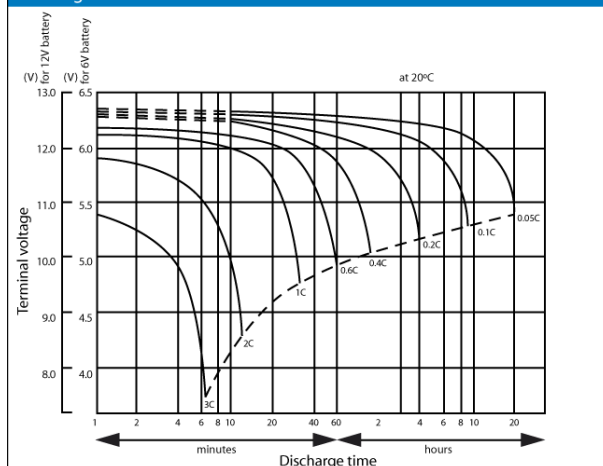
- Typical applications:**
- Solar, wind, hydro power
  - Recreational vehicle and boat
  - Service van and truck
  - Emergency lighting
  - Traffic lights
  - Electric vehicle and boat

- Valve Regulated Maintenance Free
- Absorbent Glassmat Technology
- Built to comply with DIN 43534, IEC896-2, BS6290-pt.4, EUROBAT
- Low self discharge
- Classified as non- spillable and Non Dangerous goods by IATA, FAA, ADR, IMDG
- Can be discharged or stored in any position without leakage
- Cannot be charged while the terminal is downward.

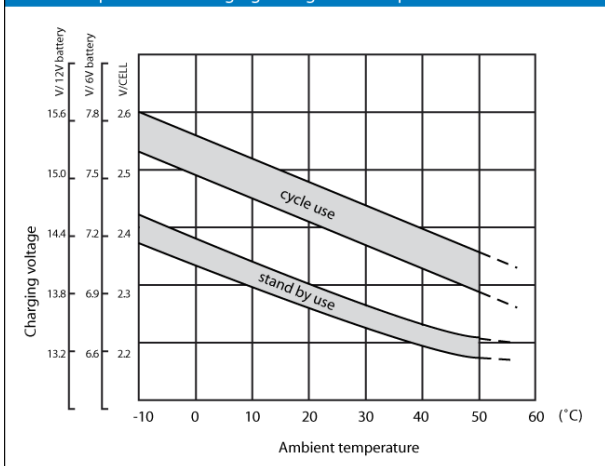
### Charging characteristics



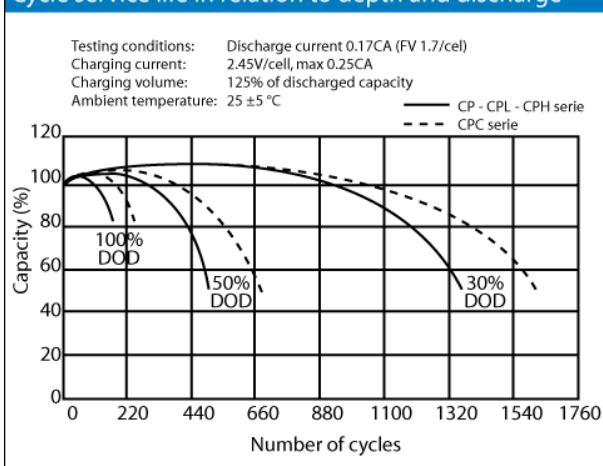
### Discharge characteristics curves



### Relationship between charging voltage and temperature



### Cycle service life in relation to depth and discharge



### Models available

Model	Capacity (Ah)	Dimensions (mm)	Weight
CPC 225 - 6	6V/225	243 x 187.5 x 275	31.80 kg
CPC 9 - 12	9	151 x 65 x 100	2.84 kg
CPC 10 - 12	10	151 x 65 x 111	3.34 kg
CPC 12 - 12	12	151 x 98 x 101	4.14 kg
CPC 18 - 12	18	181.5 x 77 x 167.5	6.00 kg
CPC 26 - 12	26	166.5 x 175 x 125	7.90 kg
CPC 33 - 12	33	195 x 130 x 174	11.30 kg
CPC 40 - 12	40	197 x 165 x 170	13.10 kg
CPC 50 - 12	50	197 x 165 x 170	14.50 kg
CPC 55 - 12	55	228 x 138 x 208	16.20 kg
CPC 60 - 12	60	278 x 175 x 190	21.20 kg
CPC 75 - 12	75	259 x 168 x 208	24.58 kg
CPC 80 - 12AJ	80	350 x 174 x 190	24.76 kg
CPC 90 - 12	90	306 x 173 x 212	26.06 kg
CPC 110 - 12	110	330 x 173 x 220	30.14 kg
CPC 120 - 12	120	407 x 175 x 224	37.02 kg
CPC 135 - 12	135	345 x 172 x 280	46.06 kg
CPC 150 - 12	150	483 x 168 x 237	47.50 kg
CPC 160 - 12	160	532 x 207 x 221	50.00 kg
CPC 200 - 12	200	522 x 239 x 225	61.00 kg
CPC 250 - 12	250	520 x 268 x 226	73.00 kg