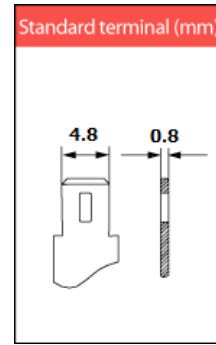
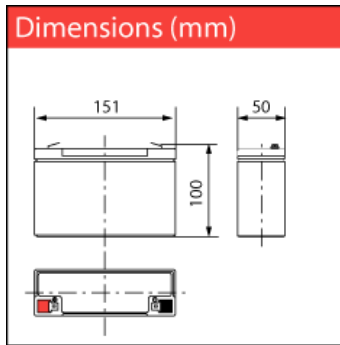


**CP 12-6**

Battery for multi purpose use



Nominal voltage	6 V DC	
Nominal Capacity (20HR,20 C):	12 Ah	
Internal resistance	Approx. 11 m Ω	
Maximum charging current	3.6 A	
Maximum discharge current	180 A (5 sec.)	
Operating temperature range	-20 C 50 C	
Float use/ cycle use	6.8 – 6.9V/ 7.25 – 7.45V	
Expected life (20 C)	3 – 5 years in float charge	
Standard terminal	Faston 4.8 mm	
Housing material	ABS	
Dimensions	length	151 mm
	width	50 mm
	height	100 mm ( 1 mm)
Approx. Weight	1.92 kg	
Packing	10 pcs/box	

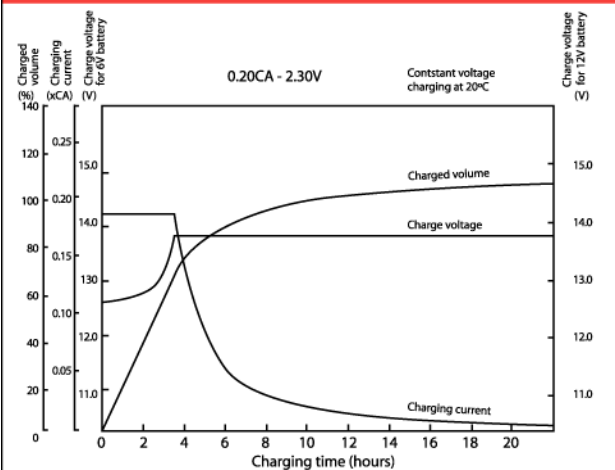
Typical applications:  
 Alarm devices  
 Measuring equipment  
 Emergency lighting  
 Medical equipment  
 Telecommunication systems  
 UPS systems  
 Toys  
 Domestic applications.

Valve Regulated Maintenance Free  
 High current drain grid being resistant to corrosion by virtue of a lead-calcium alloy  
 Absorbent Glassmat Technology (AGM)  
 Classified as non- spillable and Non Dangerous goods by IATA, FAA, ADR, IMDG  
 Can be discharged or stored in any position without leakage  
 Cannot be charged while the terminal is downward

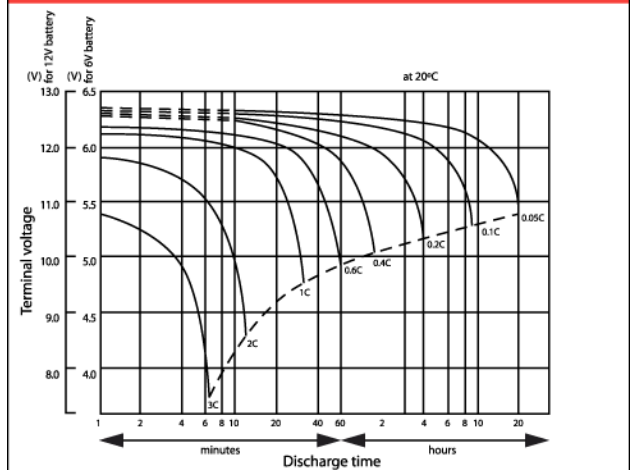
Constant Current Discharge Characteristics (A, 20°C)									
F.V/TIME	5min	10min	15min	30min	60min	3h	5h	10h	20h
4.80V	46.0	31.0	24.5	13.5	7.80	3.18	2.09	1.14	0.61
5.10V	43.7	29.5	23.3	13.0	7.49	3.12	2.05	1.13	0.61
5.40V	41.0	27.7	21.9	12.3	7.11	3.03	2.00	1.10	0.59

Constant Power Discharge Characteristics (Watt, 20°C)									
F.V/TIME	5min	10min	15min	30min	60min	3h	5h	10h	20h
4.80V	257	175	140	77.3	45.2	18.9	12.5	6.84	3.66
5.10V	244	166	133	74.5	43.4	18.5	12.2	6.78	3.66
5.40V	229	156	125	70.5	41.1	18.0	11.9	6.60	3.54

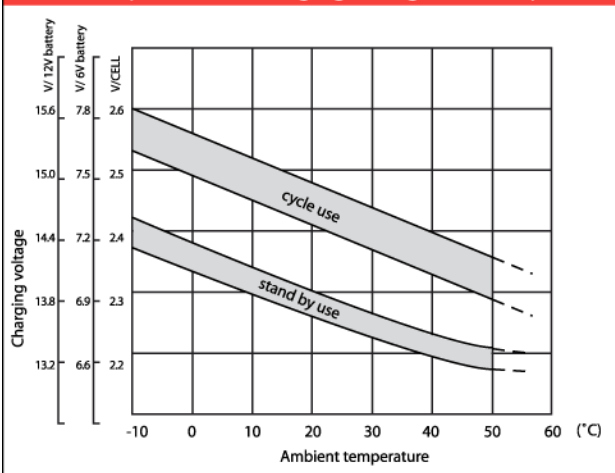
### Charging characteristics



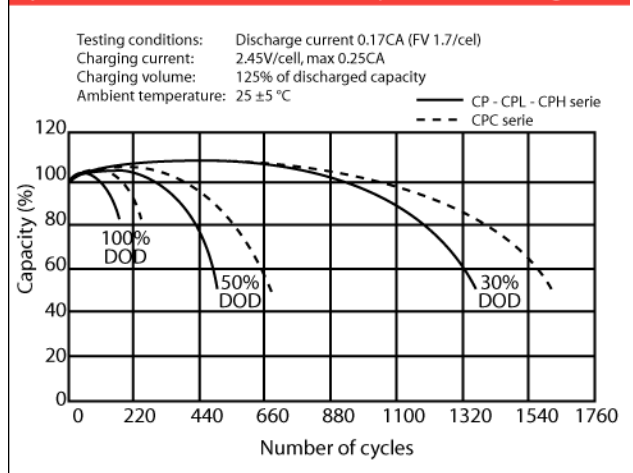
### Discharge characteristics curves



### Relationship between charging voltage and temperature



### Cycle service life in relation to depth and discharge



### Models available

Model	Capacity (Ah)	Dimensions (mm)	Weight
CP 1.2 - 6	1.2	97 x 24 x 58	0.30 kg
CP 3.2 - 6	3.2	134 x 34 x 66	0.67 kg
CP 3.5 - 6	3.5	194 x 25 x 56	0.58 kg
CP 4 - 6	4	70 x 47 x 107	0.85 kg
CP 7 - 6	7	151 x 34 x 100	1.12 kg
CP 12 - 6	12	151 x 50 x 100	1.92 kg
CP 12 - 6L	12	151 x 50 x 100	1.92 kg
CP 0.8 - 12	0.8	96 x 25 x 62	0.36 kg
CP 1.2 - 12	1.2	97 x 43 x 58	0.58 kg
CP 2 - 12M	2	150 x 20 x 90	0.68 kg
CP 2.2 - 12	2.2	178 x 34 x 67	1.10 kg
CP 2.3 - 12C	2.3	182 x 24 x 62	0.76 kg
CP 2.9 - 12	2.9	79 x 56 x 105	1.08 kg
CP 3.2 - 12	3.2	134 x 67 x 67	1.32 kg
CP 4.5 - 12	4.5	195 x 47 x 74	1.60 kg
CP 5 - 12	5	90 x 70 x 107	1.98 kg
CP 7 - 12	7	151 x 65 x 97.5	2.40 kg
CP 7 - 12 L	7	151 x 65 x 97.5	2.40 kg
CP 12 - 12	12	151 x 98 x 101	4.10 kg
CP 18 - 12I	18	181 x 77 x 167	6.30 kg
CP 20 - 12B	20	181 x 77 x 167	6.10 kg
CP 26 - 12I	26	166 x 175 x 125	9.30 kg
CP 40 - 12I	40	197 x 165 x 170	13.10 kg
CP 65 - 12I	65	348 x 167 x 178	22.00 kg

### VdS approved VRLA batteries:

The VdS-approved Cellpower batteries form a special range that has been tested and qualified by the German VdS institute. The concept behind VdS recognition; ensuring tested and certified quality in the products and services being offered in the safety and security markets, is of equally advantageous for user and supplier.

Safety and security systems are approved by the VdS and monitored in subsequent use to protect property and life and help to keep a insurance premiums lower.

Apart from the VdS approval, this range is also approved by the Dutch NCP institute, further underlining the high quality of this range.

### Typical applications:

- VdS & NCP approved alarm systems
- Fire & burglar alarm systems