

MARINE ANTENNAS CATALOGUE

INDEX

| | |
|---|------------|
| SAT TV ANTENNAS | 2 |
| OMNIDIRECTIONAL TV ANTENNAS | 4 |
| VHF ANTENNAS | 8 |
| Sailboat VHF Antennas | ALOUD 8 |
| Powerboat VHF Antennas | ALOUD 10 |
| Powerboat VHF Antennas | CLASSIC 12 |
| Masthead and Emergency | 15 |
| Professional VHF Antennas | PRO 16 |
| SSB ANTENNAS | 17 |
| CELL - PHONE ANTENNAS | 18 |
| AM - FM ANTENNAS | 19 |
| ORBCOMM ANTENNAS | 20 |
| C.B. ANTENNAS | 21 |
| NAVTEX | 22 |
| DIFFERENTIAL GPS AND LORAN ANTENNAS | 23 |
| EXTENSIONS | 24 |
| GPS EXTENSIONS | 25 |
| ELECTRIC MOUNT | 26 |
| MOUNTS AND ACCESSORIES | 27 |
| CHART PLOTTER MOUNTS AND ACCESSORIES | 32 |
| GROUND & BONDING PLATES | 33 |
| CONNECTORS | 34 |
| COAXIAL CABLES | 35 |
| DISPLAYER | 36 |
| CROSS REFERENCE | 37 |
| GENERAL TECHNICAL INFORMATION | 38 |
| WARRANTY | 41 |



Inflatable



Sail Boat



Power Boat



Commercial ship
Big Yacht



V9532 SAT TV ANTENNA



SAT TV ANTENNAS



V9532/600



V9532/500



Supplied free with antenna



10 mts (50') coax cable (supplied)

SPECIFICATION

- Voltage Antenna: 12 V.d.c.;
- Voltage Decoder: 220 V a.c.;
- Tracking: automatic or manual;
- Electric motors for horizontal and vertical axis;
- Operating range: -30° +70°C;
- Humidity: 95%;
- Rotation angle of antenna: 360°;
- Horizontal beam: 8° degrees;
- UV resistant radome;
- Dimension Mod 9532/500:
Diameter 500 mm Height.552 mm
- Dimension Mod 9532/600:
Diameter 600 mm Height.685 mm
- Weight Mod 9532/500: 6Kgs
- Weight Mod 9532/600: 8Kgs
- Gain Mod 9532/500: 24 db
- Gain Mod 9532/600: 30 db
- Wind max: 90 knots
- Frequency: LNB10,7/12,75 Ghz
- Futures upgrades: ready
- Cable 10 mts. (50')
- Roll bar mount
- Roll bar reinforcement

THE ADVANTAGE OF THE GLOMEX SAT TV ANTENNA

- Excellent television reception whilst moored, at anchor or on steady passage;
- Can be installed on all powerboats from 30';
- Decoder supplied and programmed;
- Remote control and on screen display for easy tuning of the antenna;
- Light and small radome;
- Simple installation;
- Exceptional value – crystal clear television viewing for everyone.

Boaters watch television ...

95% **3%** **2%**
AT DOCK **IN NAVIGATION** **AT ANCHOR**



SAT TV ANTENNAS

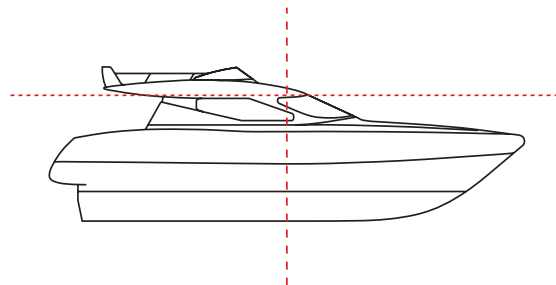
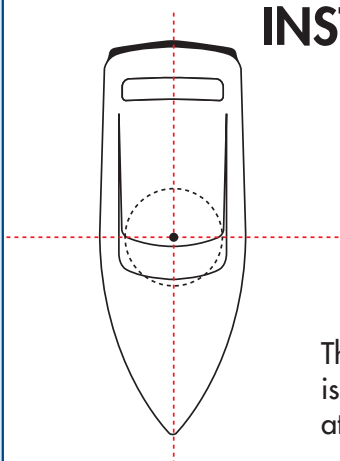


V9532 MARINE TV SAT

The perfect solution for boat owners that want a light, performing and not expensive TV Satellite Antenna. It allows to watch satellite television when moored at the anchor or when navigating with automatic pilot, and covers almost all needs when watching television on power boats.

No maintenance is for seen for this antenna, all the parts are sealed and conceived for use on boats only, like all Glomex products. After selecting the program you want to watch on the remote control, the Glomex Sat TV Antenna will search for signal will come back in a few seconds.

INSTALLATION BASIC RULES



The best position for the antenna is to center it as low as possible at the center of the boat.



TV ANTENNAS OMNIDIRECTIONAL

V9112 MARINE MASTER

This, the most popular Glomex TV Antenna, has been chosen as standard equipment by all major boat builders worldwide. New for the 2000, a revolutionary state of the art antenna element and amplifiers produces exceptional performance on all channels, including the lower VHF frequencies. Also, it allows to receive radio programs using the due accessories.

In order to ensure life long service and protection from the harsh marine environment there are no active components in the antenna and the radome is made of UV resistant, injection moulded white nylon.

The new power supply/amplifiers are designed specifically for boats and can accept an input from dockside cable, a satellite receiver or VCR (V9112/00). It features an exclusive bypass (V9112/00) that allows the TV set to use the antenna only for receiving in strong signal areas thus avoiding the attenuation of the signal introduced on the TV set when the amplifier is not fitted (min gain). Also the A/B switch (Version 9112/AB) allows the other television systems existing on board like the cable, the dock and the satellite antenna to integrate into one system only avoiding two different plants in order to save money.

LIFETIME WARRANTY



V9116
110 V ac adaptor american plug (option)

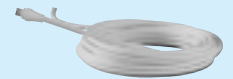
V9117
220 V ac adaptor european plug (option)

* The **V9112** TV antennas are supplied with the amplifier, including flush and wall plastic covers, 15 mts (50') of low loss, twin screen 75 Ohm coax cable (V9135), the 1,5 mt. (5') TV cord and all the F gold plated connectors for the installation on board.

V9112 antenna



Wall plastic mount (supplied)

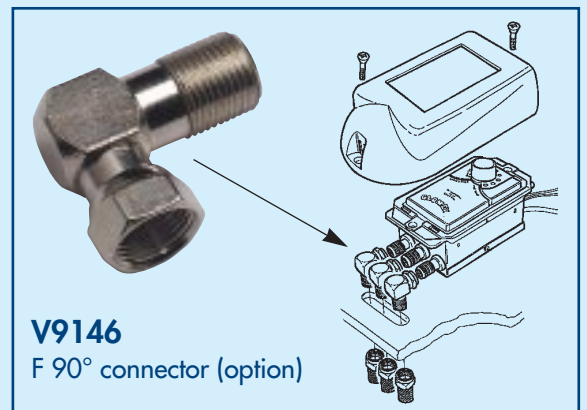


15 mts (50') coax cable (supplied)

ANTENNA



V9147
2 way splitter (option)



V9146
F 90° connector (option)

SPECIFICATIONS FOR OMNIDIRECTIONAL MARINE TV ANTENNAS

| MODEL | ANGLE OF RECEPTION | FREQUENCY RANGE | NOISE FACTOR | IMPEDANCE | GAIN AVERAGE | POWER CONSUMPTION | POWER SUPPLY |
|-------|--------------------|-----------------|--------------|-----------|--------------|-------------------|--------------|
| V9112 | 360° | 40/890 MHz | 2,1 dB | 75 ohms | 27.5 dB | 45 m. a. | 12/24 V dc |

Glomex is the only marine antenna manufacturer offering you a lifetime warranty (our competitors offer 1, 2 or 5 years warranty).



V9113 Seagull protection



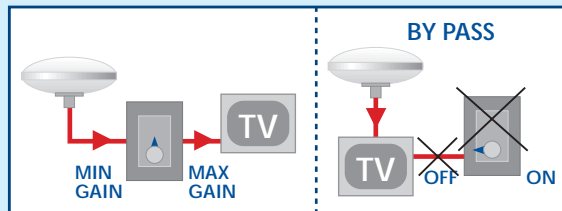
TV ANTENNAS

OMNIDIRECTIONAL



3 different choice

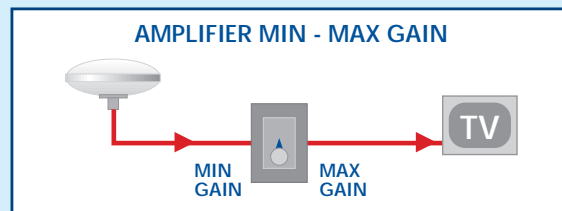
V9112/00 with 50023/98 AMPLIFIER



CE



V9112EC with 50023/98 EC AMPLIFIER

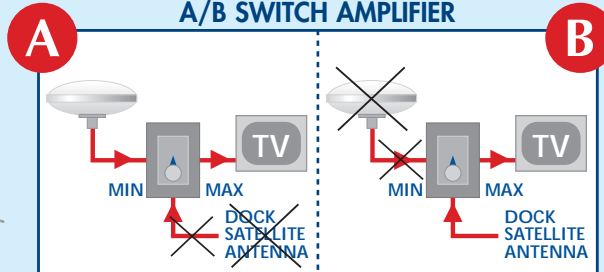


CE



V9148 AM/FM radio cable

V9112A/B with 50023/98 SR12 A/B SWITCH AMPLIFIER



CE



V9149 2 way radio cable

SPECIFICATIONS FOR OMNIDIRECTIONAL MARINE TV ANTENNAS

| BASE DIAMETER | ANTENNA HEIGHT | CONSTRUCTION MATERIAL | WEIGHT | DISC DIAMETER | ANTEN/AMPL BY PASS | ADJUSTABLE GAIN | TV SET MAX | TERMINATION CONNECTORS | A/B SWITCH |
|---------------|-----------------|-----------------------|--------------|---------------|--------------------|-----------------|------------|------------------------|-----------------|
| 25 mm (1") | 185 mm (7" 1/2) | UV resistant nylon | 900 grs 2 lb | 370 mm (14") | YES | YES | 2 | F | YES (V9112 A/B) |

In Glomex's range there are no economic or special series. All the products with lifetime warranty logo are designed and assembled to standards which respect Glomex's lifetime warranty.



V9150/00 COMMUNITY TV ANTENNA

V9150 antenna

Designed to meet the needs of large yachts and ships which require multiple outlets, this antenna can supply up to 6 TV sets. The 2000 model has a new antenna element which dramatically improves its receiving capabilities. All of the plastic parts in the antenna are injection moulded, UV resistant nylon. The new amplifier (50023/98SR12) features the adjustable gain control and the A/B Switch in order to integrate in one plant only all the existing television systems on board like the cable, the dock, the satellite antenna, the line amplifier 50022/00 provide to compensate the loss of the coax cable that become important in large yachts and ship where the TV set is far from the amplifier



CE



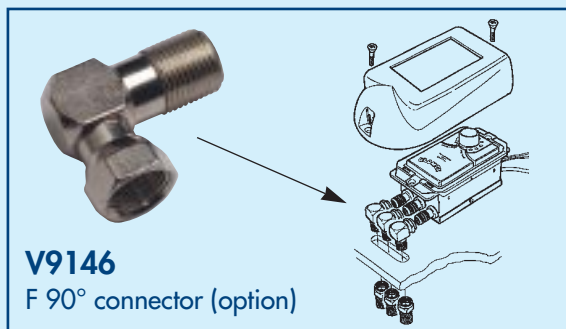
LIFETIME WARRANTY

50022/00
6 OUTLET LINE
AMPLIFIER

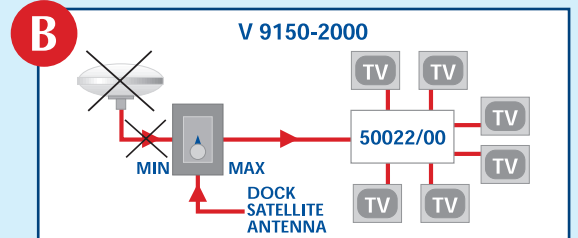
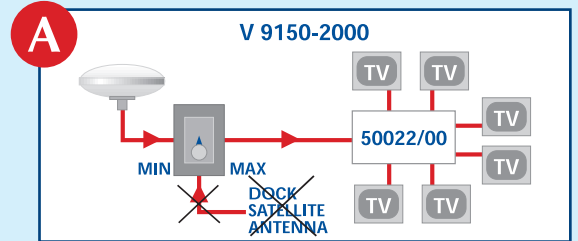
50023/98 SR12
AMPLIFIER



Wall plastic mount
(supplied)



V9146
F 90° connector (option)



* The V9150 antennas are supplied with 2 amplifier splitters, 65 mts. of low loss cable for the plant and all the F gold plated connectors.

SPECIFICATIONS FOR OMNIDIRECTIONAL MARINE TV ANTENNAS

| MODEL | ANGLE OF RECEPTION | FREQUENCY RANGE | NOISE FACTOR | IMPEDANCE | GAIN AVERAGE | POWER CONSUMPTION | POWER SUPPLY |
|-------|--------------------|-----------------|--------------|-----------|--------------|-------------------|--------------|
| V9125 | 360° | 40/890 MHz | 2,2 dB | 75 ohms | 26 dB | 20 m. a. | 12/24 V dc |
| V9150 | 360° | 40/890 MHz | 2,1 dB | 75 ohms | 36 dB | 120 m. a. | 12/24 V dc |

Glomex is the only marine antenna manufacturer offering you a lifetime warranty (our competitors offer 1, 2 or 5 years warranty).

TV ANTENNAS
 OMNIDIRECTIONAL



TV ANTENNAS OMNIDIRECTIONAL

V9125 antenna



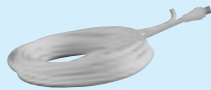
V9125/00

This compact, lightweight TV antenna features exceptional performance on all TV frequencies. Made of UV resistant, injection moulded nylon it will keep its white, mirror like finish for years. Like our other TV antennas, the V9125 has no active components in the antenna, which provides extra protection from atmospheric elements. The 12/24VDC power supply amplifier is totally screened. This allows the best reception of TV signals with less interference from shipboard electrical noise sources. Also, it allows to receive radio programs using the due accessories.

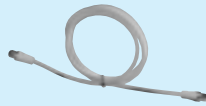
LIFETIME WARRANTY



Wall plastic mount (supplied)

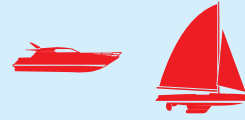


15 mts (50') coax cable (supplied)



1,5 mts (5') TV set cord (supplied)

CE

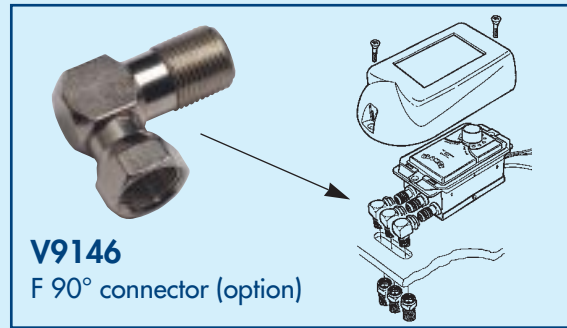


V9148
AM/FM
radio cable



V9116
110 V ac adaptor american plug (option)

V9117
220 V ac adaptor european plug (option)



V9146
F 90° connector (option)

* The **V9125** TV antennas are supplied with the amplifier, including flush and wall plastic covers, 15 mts. (50') of low loss, twin screen 75 Ohm coax cable (V9135), the 1,5 mt. (5') TV cord and all the F gold plated connectors for the installation on board.

ELECTROPOLISHED STAINLESS STEEL MOUNT FOR TV ANTENNAS

V9124

Stainless steel universal mount. Diam 25 mm (1"); h 150 mm (6") for V9125 - V9112 - V9150



V9123

Stainless steel masthead mount. Diam 25 mm (1"); for V9125



V9173TV

Stainless steel masthead mount. Diam 25 mm (1"); for V9112 - V9150. No Thread.



SPECIFICATIONS FOR OMNIDIRECTIONAL MARINE TV ANTENNAS

| BASE DIAMETER | ANTENNA HEIGHT | CONSTRUCTION MATERIAL | WEIGHT | DISC DIAMETER | ANTEN/AMPL BY PASS | ADJUSTABLE GAIN | TV SET MAX | TERMINATION CONNECTORS | A/B SWITCH |
|---------------|-----------------|-----------------------|------------------|---------------|--------------------|-----------------|------------|------------------------|------------|
| 25 mm (1") | 120 mm (5") | UV resistant nylon | 350 grs 12 Oz | 250 mm (10") | NO | YES | 2 | F | NO |
| 25 mm (1") | 185 mm (7" 1/2) | UV resistant nylon | 900 grs 2 Lb | 370 mm (14") | NO | YES | 6 | F | YES |

In GLOMEX's range there are no economic or special series. All the products with lifetime warranty logo are designed and assembled to standards which respect GLOMEX's lifetime warranty.



VHF ANTENNAS

SAILBOAT

ALoud

RA106
Solderless
connector



Supplied with all
ALoud antennas

RA138

PVC protection
for PL259



RA140

Feed thru for
coax cable.
Not for RA 109



RA132

PL259 connector
Twist-on

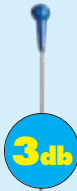


ALoud SERIES

There is no compromise in the manufacturing of these antennas. The tapered stainless steel whips can absorb physical shocks without bending.

The fibreglass version has a glossy polyurethane coating to provide extra corrosion protection for the internal copper elements. The Glomex exclusive weatherproof solderless connector (*) allows installation without soldering so it simplifies the replacement of existing antennas. These individually tuned antennas are supplied with

all of the parts necessary for installation. We supply only high quality RG58 C/U (MIL C17) coax cable with our ALoud product line. These antennas are also approved for marine use on grounded and ungrounded installations (sail and power boats) by the Netherlands Postal Service.



RA106SLSB18

Masthead stainless steel whip 1.8 mts. (60') coax cable



SOLDERLESS



18 mts. (60') coax cable



RA106GRPSB18

Masthead glossy fibreglass whip 1.8 mts. (60') coax cable



SOLDERLESS



18 mts. (60') coax cable



RA106SLSB25

Masthead stainless steel whip 2.5 mts. (83') coax cable



SOLDERLESS



25 mts. (83') coax cable



RA106GRPSB25

Masthead glossy fibreglass whip 2.5 mts. (83') coax cable



SOLDERLESS



25 mts. (83') coax cable





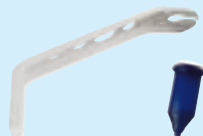
VHF ANTENNAS

SAILBOAT



RA109GRP

Masthead glossy fibreglass whip SO239 termination for PL259



RA109SLS

Masthead stainless steel whip SO239 termination for PL259



Glomex is the only marine antenna manufacturer offering you a lifetime warranty (our competitors offer 1, 2 or 5 years warranty). In Glomex's range there are no economic or special series. All the products with lifetime warranty logo are designed and assembled to standards which respect Glomex's lifetime warranty.



ALoud

Supplied with all ALoud antennas

RA138
PVC protection for PL259



RA140
Feed thru for coax cable. Not for RA 109



RA132
PL259 connector Twist-on



3db



1" x 1/4 adaptor

RA106SLSPB
Powerboat 1" x 1/4 tpi stainless steel whip (no coax supplied)

3db



1" x 1/4 adaptor

RA106GRPPB
Powerboat 1" x 1/4 tpi, glossy fibreglass whip (no coax supplied)

3db



1" x 1/4 adaptor

RA106SLSPB-135
Powerboat 1" x 1/4 tpi, stainless steel whip 4,5 mts. (1.5') coax cable + 4 way nylon ratchet mount

RA135
supplied



3db



1" x 1/4 adaptor

RA106GRPPB-135
Powerboat 1" x 1/4 tpi glossy fibreglass whip 4,5 mts. (1.5') coax cable + 4 way nylon ratchet mount

RA135
supplied



SPECIFICATIONS FOR MARINE VHF ANTENNAS - (SERIES ALoud RA 106)

| FREQUENCY RANGE | IMPEDANCE | POLARISATION | SWR | LENGTH OF RA 106 - RA 109 | MAX. INPUT (WATTS) | DC GROUND | GAIN | WEIGHT |
|-----------------|-----------|--------------|-----------------------|---------------------------|--------------------|-----------|------|---------------|
| 156/162 MHz | 50 ohms | Vertical | <=1,3 at 156,8 Mhz | 36" 0,9 mt | 100 | YES (*) | 3 db | 180 g. (6 oz) |

Glomex is the only marine antenna manufacturer offering you a lifetime warranty (our competitors offer 1, 2 or 5 years warranty). In Glomex's range there are no economic or special series. All the products with lifetime warranty logo are designed and assembled to standards which respect Glomex's lifetime warranty.

ALoud



VHF ANTENNAS

SAILBOAT WIND INDICATOR



**RA179
MASTHEAD**
Wind indicator
(380 mm) for
Aloud antennas
RA106 / RA109
series



CLASSIC

The **GLOMEX CLASSIC** range of VHF antennas are designed to fit the needs of all powerboats. Built to Glomex's high standards, **all** of these antennas have a **glossy** polyurethane finish, UV resistant electropolished stainless steel ferrules (RA 1225), solid brass radiating/receiving elements, and the highest quality coaxial cable. We promise and deliver the best performance and value.



For **LIFETIME WARRANTY**

VHF ANTENNAS POWERBOAT



RA112

This 5/8 wave antenna is the right choice for small boats where exceptional value at an economic price is the primary concern.

- * 1,50 mts. (5') length.
- * Glossy GLOMEX fibre-glass.
- * Solid brass antenna elements.
- * Nylon ferrule.
- * RG58C/U (MIL-C-17) coax 4,5mts.(15')



RA112 and **RA112CR** match the appearance of RA128 AM/FM.



RA112CR

same as the RA112 with chromed brass ferrule.



RA1206CR

Glomex has set a new standard for quality in lightweight, economic VHF antennas with the RA1206. The standard features of the CLASSIC range make this the best choice for the value minded boater. This 5/8 wave antenna matches the appearance of the RA 1278 CB, RA1288 AM/FM and RA 161 cellular antennas.

- * 2,40 mts (8') length.
- * Glossy GLOMEX fibre-glass.
- * Solid brass antenna elements.
- * Chrome-plated brass ferrule.
- * RG58C/U (MIL-C-17) coax 4,5 mts (15').



RA1206NY

same as RA1206 CR with nylon ferrule.

RA132

PL259 connector Twist-on **supplied** with all classic antennas



SPECIFICATIONS FOR MARINE VHF ANTENNAS - (SERIES CLASSIC)

| MODEL | GAIN RANGE | FREQUENCY (OMHS) | IMPEDANCE | POLARISATION | SWR (WATTS) | MAX. INPUT GROUNDS | DC |
|--------|------------|------------------|-----------|--------------|--------------------|--------------------|---------|
| RA112 | 3 dB | 156-162 MHz | 50 | Vertical | <=1,3 at 156,8 MHz | 100 | YES (*) |
| RA113 | 6 dB | 156-162 MHz | 50 | Vertical | <=1,3 at 156,8 MHz | 100 | YES (*) |
| RA1225 | 6 dB | 156-162 MHz | 50 | Vertical | <=1,3 at 156,8 MHz | 100 | YES (*) |
| RA1206 | 6 dB | 156-162 MHz | 50 | Vertical | <=1,3 at 156,8 MHz | 100 | YES (*) |
| RA500 | 9 dB | 156-162 MHz | 50 | Vertical | <=1,3 at 156,8 MHz | 100 | YES (*) |

Glomex is the only marine antenna manufacturer offering you a lifetime warranty (our competitors offer 1, 2 or 5 years warranty). In Glomex's range there are no economic or special series. All the products with lifetime warranty logo are designed and assembled to standards which respect Glomex's lifetime warranty.

(*) See technical information pages 38/39



CLASSIC



6db

RA1225

This high performance 8' collinear antenna with its superb polyurethane finish will enhance the appearance of any boat. The collinear phased 5/8 wave elements provide long range communications while the other feature provide life long service.

- * **HAND ASSEMBLED AND HAND FINISHED**
- * **EXTRA HIGH GLOSS POLYURETHANE FINISH UV RESISTANT**
- * **BRASS AND COPPER ELEMENTS**
- * **SOLDERLESS CONNECTOR**
- * **6 MTS RG58 LOW LOSS CABLE**
- * **GOLD PLATED PL259 CONNECTOR SUPPLIED. SOLDERLESS**
- * **2,40 MTS (8') LENGTH**
- * **ELECTROPOLISHED STAINLESS STEEL FERRULE**
- * **NO JUNCTIONS ON THE BOTTOM OF ANTENNA ELEMENT**
- * **THE BEST PRICE ON THE MARKET**
- * **FREE SOLDERLESS CONNECTOR**

and

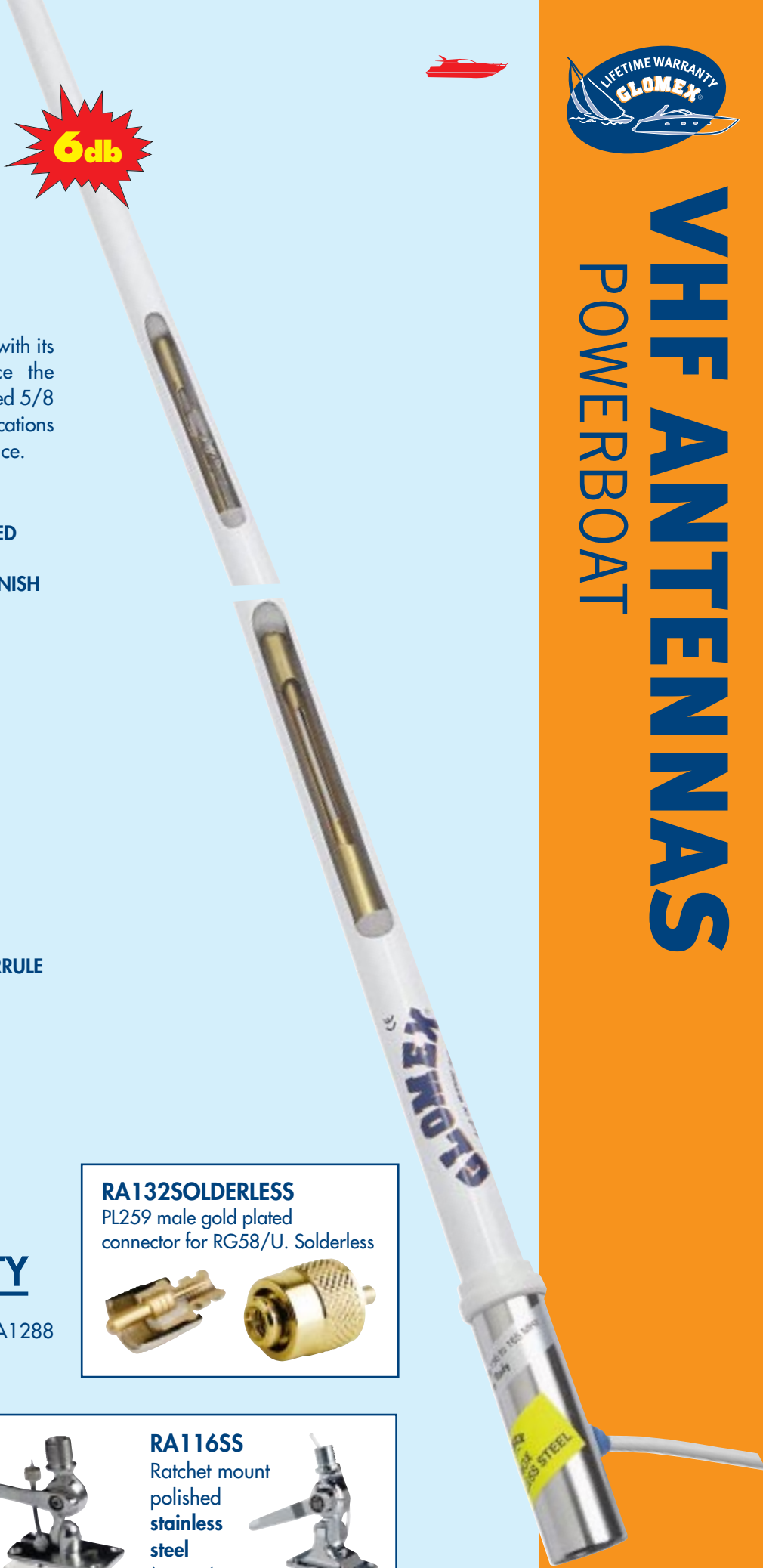
LIFETIME WARRANTY

It can be matched with the RA1278 CB, RA1288 AM/FM and RA161 cellular antennas.

RA132SOLDERLESS
 PL259 male gold plated connector for RG58/U. Solderless

| | | |
|--|--|---|
| <p>RA107SS Ratchet mount polished stainless steel (option)</p>  | <p>RA166/00 Stainless steel Suggested mount (option)</p>  | <p>RA116SS Ratchet mount polished stainless steel (option)</p>  |
|--|--|---|

VHF ANTENNAS POWERBOAT

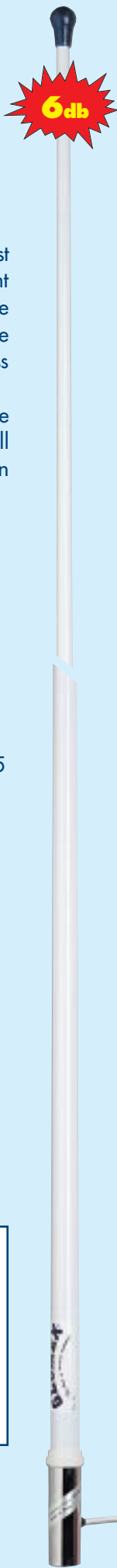




CLASSIC



VHF ANTENNAS POWERBOAT



RA113

You can be sure this antenna will last for years in the marine environment without losing its great appearance due to the extra glossy polyurethane finish and its electropolished stainless steel ferrule.

The collinear phased 5/8 wave elements made in solid brass will provide long range communication and life long service.

- * 2,70 mts(9') length.
- * Super glossy GLOMEX fiberglass.
- * Solid brass antenna elements.
- * Electropolished stainless steel ferrule.
- * RG58 Low Loss Cable 6 mts (20').
- * Same antenna element as RA1225 (see pag. 13)

(NOT SOLD IN USA)

RA500

Phased 2-wave elements in a collinear array with suppressor of cable radiation at the element's base. This 9 db, two-piece antenna is the best choice when reliable long range communications are desired.

The heavy duty construction and polyurethane finish ensure long life in the marine environment.

The use of an RA119 upper support is required for a proper installation. For a matching SSB antenna use the RA700.

- * 6,40 mts (21'4'') length, two-piece.
- * GLOMEX glossy fiber-glass.
- * Brass and copper antenna elements.
- * Chrome - plated brass ferrules.
- * RG58C/U (MIL-C-17) COAX 6 mts (20').

RA132SOLDERLESS
PL259 male gold plated connector for RG58/U. Solderless



Supplied

RA132SOLDERLESS
PL259 male gold plated connector for RG58/U. Solderless



Supplied



VHF ANTENNAS

MASTHEAD & EMERGENCY



RA114
Emergency VHF Antenna with 9 mts (30') coax cable 0,35 mt (13")



RA2022
VHF Economy Antenna for masthead with 18 mts (60') coax cable. 1,5 mts (5') length



RA111
Regatta VHF Antenna with 18 mts (60') RG 58 CU MIL C17 coax cable, length 0,30 mt (1').

RA132
PL259 connector Twist-on

Supplied



SPECIFICATIONS FOR MARINE VHF ANTENNAS

| MODEL | FREQUENCY RANGE | IMPEDANCE | POLARISATION | SWR | MAX. INPUT (WATTS) | DC GROUND | GAIN | WEIGHT |
|--------|-----------------|-----------|--------------|-------------------------|--------------------|-----------|------|--------------------|
| RA114 | 156/162 MHz | 50 ohms | Vertical | $\leq 1,3$ at 156,8 Mhz | 50 | NO | 1 dB | 900 gr. (2 Pounds) |
| RA2022 | 156/162 MHz | 50 ohms | Vertical | $\leq 1,3$ at 156,8 Mhz | 50 | YES | 3 dB | 90 gr. (3 oz) |
| RA111 | 156/162 MHz | 50 ohms | Vertical | $\leq 1,3$ at 156,8 Mhz | 50 | NO | 1 dB | 220 gr. (1 Pound) |

Glomex is the only marine antenna manufacturer offering you a lifetime warranty (our competitors offer 1, 2 or 5 years warranty). In Glomex's range there are no economic or special series. All the products with lifetime warranty logo are designed and assembled to standards which respect Glomex's lifetime warranty.



PRO

VHF ANTENNAS PROFESSIONAL

MOUNTS



V9171
Pipe mount



V9176
L Masthead bracket



V9174
Universal mount



V9173
Masthead bracket

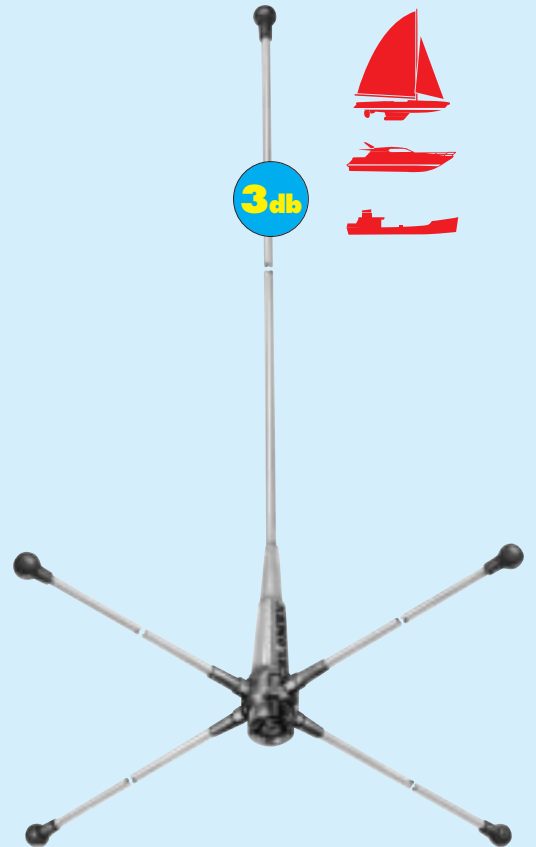
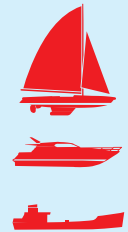


RA158
N male connector
for RG213/U
supplied with RA110



RA110

The RA110's wide vertical radiation pattern and short length produce uninterrupted communications even when your boat is heeled over or during severe rolling and pitching. Its glossy polyurethane coating of the tube provide extra corrosion protection for the internal elements.



RA108

This is the 5/8 wave marine VHF antenna most preferred by professional and commercial fishermen and land based stations. The injection moulded base and glossy polyurethane whip and radials produce a completely sealed antenna. The ground plane, comprised of four radials allows you to communicate clearly despite heavy rolling and pitching of your boat.

SPECIFICATIONS FOR MARINE VHF ANTENNAS - (SERIES PRO)

| MODEL | GAIN | FREQUENCY RANGE | IMPEDANCE (OHMS) | POLARISATION | SWR | MAX. INPUT (WATTS) | DC GROUND | TERMINATION | LENGTH |
|-------|------|-----------------|------------------|--------------|-------------------|--------------------|-----------|--------------------|---------------|
| RA110 | 3 dB | 156-162 Mhz | 50 | Vertical | ≤1,3 at 156,8 Mhz | 100 | YES (*) | Female N Connector | 1,20 mts (4') |
| RA108 | 3 dB | 156-162 Mhz | 50 | Vertical | ≤1,3 at 156,8 Mhz | 100 | YES (*) | 50239 for PL 259 | 1,20 mts (4') |



SSB ANTENNAS



RA600

Our economic SSB antenna with a standard side feed RF connection. It is supplied with amounting adapter to allow replacement of existing antennas, its glossy coating ensure long lifetime.

RA700

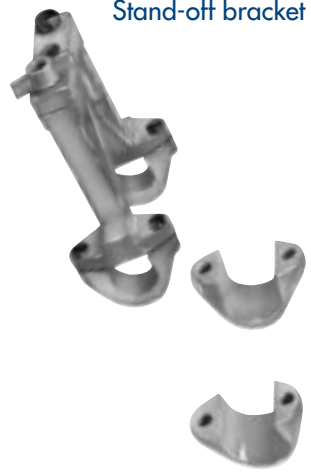
The first and only completely insulated SSB marine antenna. Special coatings and a concealed RF connection ensure the safety of the crew. Proper installation requires the use of the RA126 swivel mount, with its THRU-DECK RF connection, and an RA119 upper support. Its glossy polyurethane coating of the tube provides extra corrosion protection for the internal elements.



7 mts (23') length

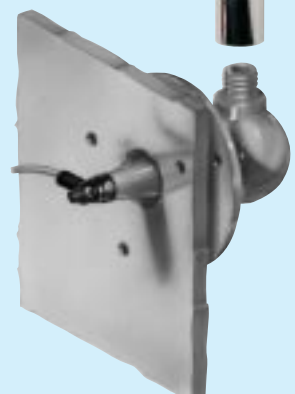
RA119

Stand-off bracket



RA126

Thru-deck R.F. Swivel mount and insulator



SPECIFICATIONS FOR MARINE SSB ANTENNAS

| MODEL | GAIN | FREQUENCY RANGE | IMPEDANCE (OHMS) | LENGHT | MAX INPUT | WEIGHT | TERMINATION |
|-------|------|----------------------|------------------|-------------|-----------|------------------|----------------------------|
| RA600 | N.A. | 2-30 Mhz with tuners | N.A. | 7 mts (23') | 400 W | 2160 gr (4,7 lb) | Side feed termination bolt |
| RA700 | N.A. | 2-30 Mhz with tuners | N.A. | 7 mts (23') | 800 W | 2514 gr (5,5 lb) | Central feed (see RA126) |

Glomex is the only marine antenna manufacturer offering you a lifetime warranty (our competitors offer 1, 2 or 5 years warranty). In Glomex's range there are no economic or special series. All the products with lifetime warranty logo are designed and assembled to standards which respect Glomex's lifetime warranty.



ANTENNAS

CELL - PHONE

With the rapid worldwide expansion of the cellular network, many boaters are taking their phones with them to sea. In order to maximize performances an external high gain antenna is a must. Our RA160 and RA161 antennas provide the best shipboard performance available. These antennas are built like all of our other antennas, with no compromises, both models have solid brass elements and operate on all cellular frequencies from 800 to 980 MHz. They also have glossy polyurethane finishes. Ferrules with 1"x14 threads allow the use of all Glomex mounts. The sealed construction of these antennas guarantees high performance for years to come. The RA161 matches the appearance of all other Glomex 2,40 mts (8') antennas for aesthetically balanced installations.



RA160

- * 0,60 mts (2') length
- * Glossy Glomex fibreglass.
- * Solid antenna elements
- * Chromed brass ferrules.

RA158

N Connector for RG213/U coax cable supplied with the antenna RA160.



MOUNTS



V9171

V9176



V9174

V9173



RA161

- * 2,40 mts (8') length
- * Glossy Glomex fibreglass
- * Solid antenna elements
- * Electropolished stainless steel ferrule.

Matches the appearance of all Glomex 2,40 mts. (8') antennas

RA156

TNC connector supplied with the antenna RA161



These antennas cover all the european and american frequencies used for cellular phones on 800 and 900 and 1800 and 1900 bands.

SPECIFICATIONS FOR MARINE CELLULAR-PHONES ANTENNAS

| MODEL | GAIN | FREQUENCY RANGE | IMPEDANCE (OHMS) | MAX. INPUT (WATTS) | DC GROUND | TERMINATION |
|-------|-------|-----------------|------------------|--------------------|-----------|---|
| RA160 | 6 dB. | 800 - 980 MHz | 50 | 100 | YES (*) | 1"x14 tpi ferrule N connector |
| RA161 | 6 dB | 800 - 980 MHz | 50 | 50 | YES(*) | 1"x14 tpi - 6 mts (20') lowloss coax RG58 with TNC |



AM-FM ANTENNAS

RA1288

- * 2,40 mts (8') length.
- * Glossy GLOMEX fibreglass.
- * Cromed brass ferrule.

Matches the appearance of all other Glomex 2,40 mts (8') antennas.

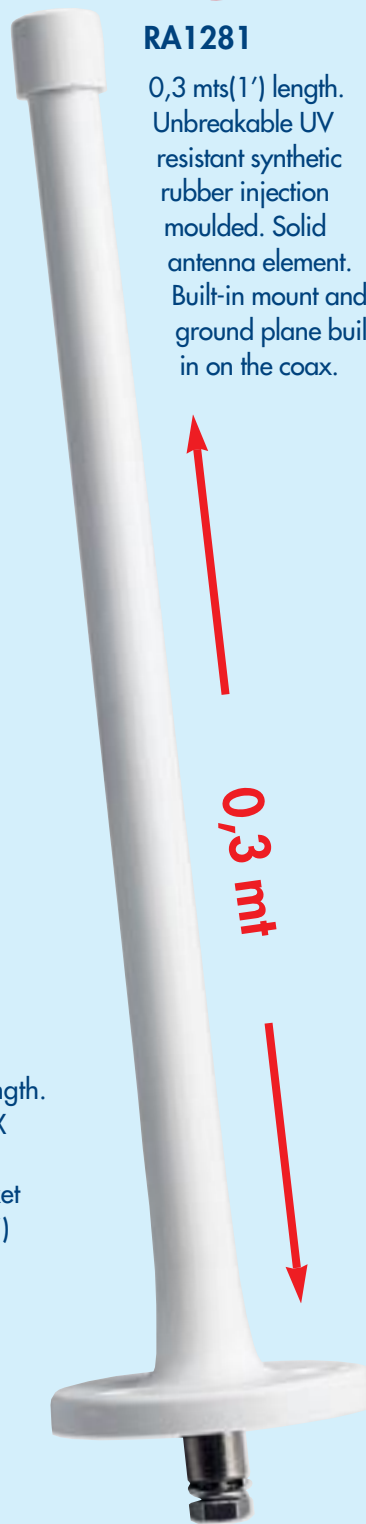
RA201

VHF/AM-FM radio splitter 12V d.c. allow to use the VHF antenna to receive AM/FM radio



RA1281

0,3 mts (1') length. Unbreakable UV resistant synthetic rubber injection moulded. Solid antenna element. Built-in mount and ground plane built in on the coax.



RA128

- * 1,50 mts (5') length.
- * Glossy GLOMEX fibreglass.
- * Solid antenna elements.
- * Nylon ferrule.

Matches the appearance of all other Glomex 1,50 mts (5') antennas.



V9149

2 way radio cable



RA128/18

- * 1,50 mts (5') length.
- * Glossy GLOMEX fibreglass
- * Masthead bracket with 18 mts (60') coax cable.



SPECIFICATIONS FOR MARINE AM-FM ANTENNAS

| MODEL | FREQUENCY RANGE | IMPEDANCE (OHMS) | TERMINATION |
|----------|---------------------------------|------------------|--------------------------------------|
| RA1288 | AM 550 - 1600 / FM 88 - 108 Mhz | 93 | 6 mts (20') Coax with Motorola plug |
| RA128 | AM 550 - 1600 / FM 88 - 108 Mhz | 93 | 6 mts (20') Coax with Motorola plug |
| RA1281 | AM 550 - 1600 / FM 88 - 108 Mhz | 93 | 3 mts (20') Coax with Motorola plug |
| RA128/18 | AM 550 - 1600 / FM 88 - 108 Mhz | 93 | 18 mts (60') Coax with Motorola plug |
| RA201 | AM 550 - 1600 / FM 88 - 108 Mhz | 93 | 0,3 mts (1') Coax with Motorola plug |

Glomex is the only marine antenna manufacturer offering you a lifetime warranty (our competitors offer 1, 2 or 5 years warranty). In Glomex's range there are no economic or special series. All the products with lifetime warranty logo are designed and assembled to standards which respect Glomex's lifetime warranty.



ORBCOMM MARINE ANTENNAS

The Orbcomm communication system use the (Low Earth Orbit) satellites for mobile communication (e-mail, SMS, Data). This antenna has been developed under the specification of Orbcomm Italia and its approved for Orbcomm applications.



RA106
Solderless connector

GPS/TLSP Antenna case and nylon mount for Panasonic Orbcomm/gps antenna



1" x 14" Adaptor (supplied)



10 mts (33') coax low loss with BNC connector (supplied)



ORBCOMM™
Italia

SPECIFICATIONS FOR MARINE ORBCOMM ANTENNAS

| MODEL RANGE | FREQUENCY | IMPEDANCE LENGTH | ANTENNA GROUND | DC | GAIN | TERMINATION |
|-------------|---------------------|------------------|----------------|-----|------|-------------|
| RA106ORBC | TX 148 - RX 136 MHz | 50 ohms | 1 mts (39") | YES | 3 dB | solderless |



C.B. ANTENNAS

RA1278

- * 2,40 mts (8') length.
- * Glossy GLOMEX fibreglass.
- * Solid brass antenna elements.
- * 1/2 wave folded
- * Electropolished stainless steel ferrule.
- * Matches the appearance of all other Glomex 2,40 mts (8') antennas.
- * 6 mts (20') coax cable
- * PL259 connector.

RA127

- * 1,50 mts (5') length.
- * Glossy GLOMEX fibreglass.
- * Solid copper antenna element.
- * 1/2 wave folded
- * UV resistant nylon ferrule.
- * 4,5 mts (15') coax cable.
- * PL259 connector.



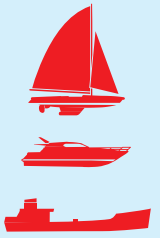
SPECIFICATIONS FOR MARINE C.B. ANTENNAS

| MODEL RANGE | FREQUENCY (OHMS) | IMPEDANCE | SWR | GAIN (WATTS) | MAX. INPUT GROUND | DC | TERMINATION |
|-------------|---------------------|---------------------|------------|--------------|-------------------|---------|--|
| RA127 | 27 Mhz citizen band | 50 on channel 20 | $\leq 1,2$ | unity | 50 | YES (*) | 1"x14 ferrule 4,5 mts (15') Coax + PL 259 |
| RA1278 | 27 Mhz citizen band | 50 on channel 20 | $\leq 1,2$ | unity | 50 | YES (*) | 1"x14 ferrule 6 mts (20') Coax + PL 259 |

Glomex is the only marine antenna manufacturer offering you a lifetime warranty (our competitors offer 1, 2 or 5 years warranty). In Glomex's range there are no economic or special series. All the products with lifetime warranty logo are designed and assembled to standards which respect Glomex's lifetime warranty.

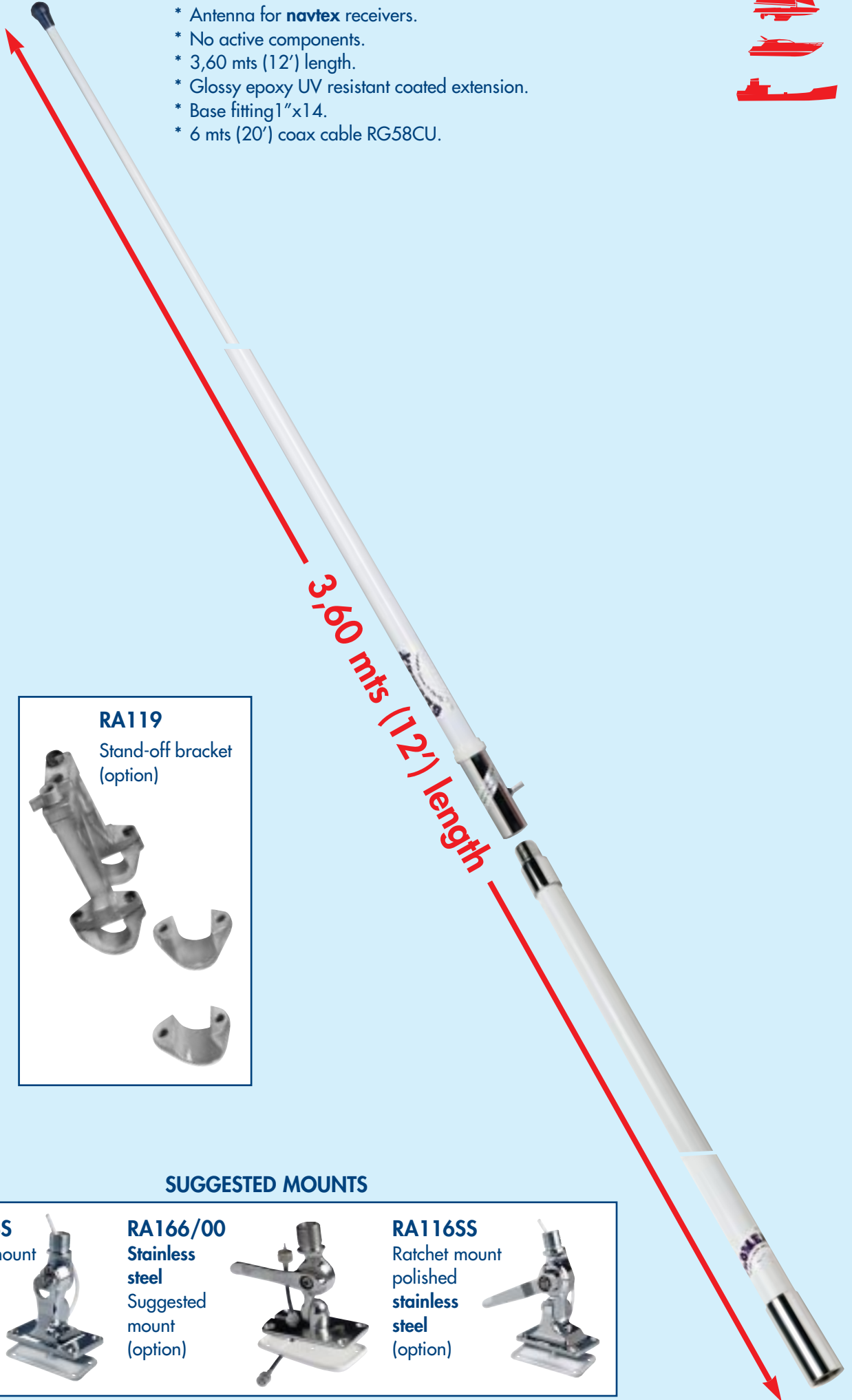


NAVTEX



RA164

- * Antenna for **navtex** receivers.
- * No active components.
- * 3,60 mts (12') length.
- * Glossy epoxy UV resistant coated extension.
- * Base fitting 1"x14.
- * 6 mts (20') coax cable RG58CU.



RA119

Stand-off bracket (option)



SUGGESTED MOUNTS

RA107SS

Ratchet mount
polished
stainless
steel
(option)



RA166/00

Stainless
steel
Suggested
mount
(option)



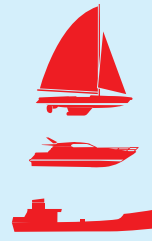
RA116SS

Ratchet mount
polished
stainless
steel
(option)



THREE DIFFERENT LENGTHS FOR ALL NEEDS

Manufactured to Glomex standards. These glossy polyurethane coated antennas or electropolished stainless steel have 3/8" x 24 thread, suitable for all Loran coupler and differential GPS antennas.



Glomex is the only marine antenna manufacturer offering you a lifetime warranty (our competitors offer 1, 2 or 5 years warranty). In Glomex's range there are no economic or special series. All the products with lifetime warranty logo are designed and assembled to standards which respect Glomex's lifetime warranty.

DIFFERENTIAL GPS & LORAN ANTENNAS



LC011 - 1 mt. (3' - 4") glossy fibreglass



LC012 - 1,5 mt. (5') stainless steel



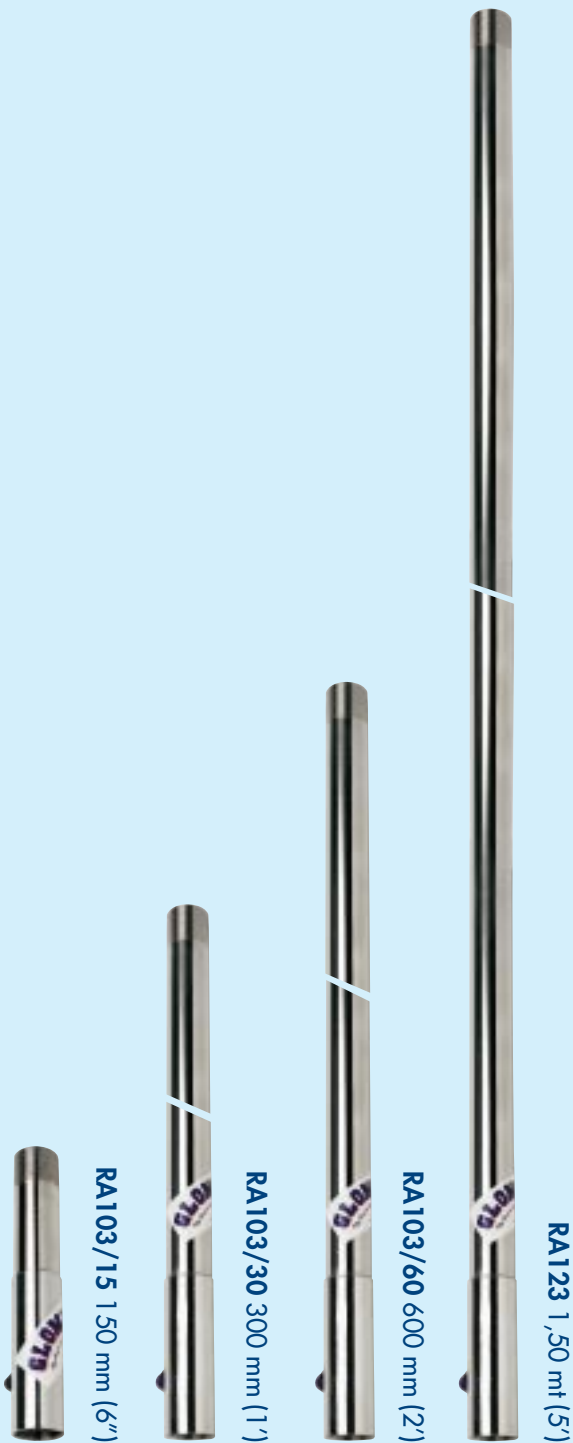
LC010 - 2,40 mts. (8') - glossy fibreglass



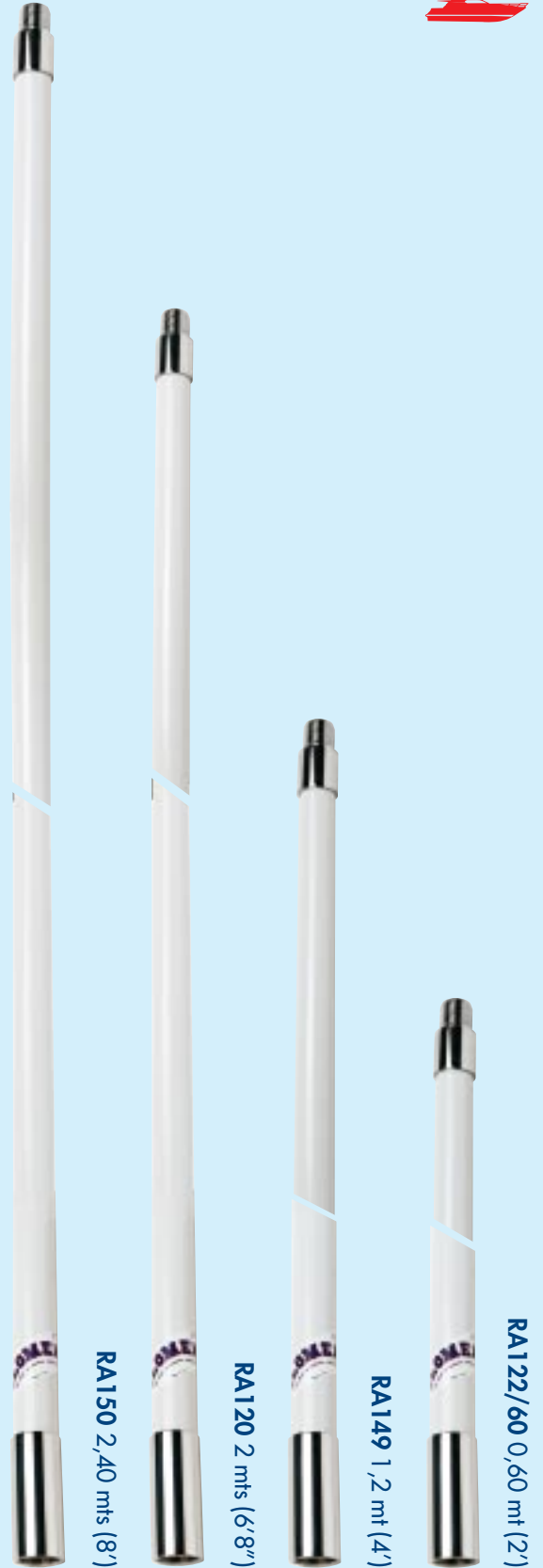
EXTENSIONS

Extension in various lengths for antennas or accessories: standard 1"x14 thread. These glossy epoxy UV resistant coated or stainless extensions can be adapted to every antenna; VHF, CB, AM/FM, GPS, etc. They are the ideal complement to get the best on-board electronics performance by raising the transceiver antennas.

STAINLESS STEEL



FIBREGLOSS



Alluminium extensions in glossy epoxy UV resistant for GPS antennas in various lengths allow the central and side passage of the GPS antenna cable.

Glomex is the only marine antenna manufacturer offering you a lifetime warranty (our competitors offer 1, 2 or 5 years warranty). In Glomex's range there are no economic or special series. All the products with lifetime warranty logo are designed and assembled to standards which respect Glomex's lifetime warranty.



ALUMINIUM



RA129/15 0,15 mt. (6")

RA129/30 0,30 mt. (1')

RA129/60 0,60 mt. (2')

RA129/120 1,20 mt. (4')

Better supported by RA119 stand - off bracket

GPS EXTENSION



ELECTRIC MOUNT

Glomex has come up with the perfect solution to safety control your antenna position. At the touch of a switch, the Glomex Electric Antenna Mount (EAM) will automatically raise or lower your 8 ft. VHF, GPS, Cellular and Loran antenna a full 90 degrees or any point in between. The EAM unit is a self contained unit housed in an attractive all aluminium epoxy coated module. It is retrofitable into an existing ratchet mount bolt pattern either in a horizontal or vertical position. The unit contains a built in friction lock mechanism which allows the antenna to be lowered also manually, helping prevent possible accidental damage to the antenna or EAM. The kit comes with wire harness and switch, and as with all Glomex products it has a

LIFETIME WARRANTY

RA185EAM

Deck mount



RA185EAM

Wall mount

CARLING SWITCH

RA187 (option)



SPECIFICATIONS

| TENSION & CURRENT | SPEED | EMERGENCY SYSTEM | MATERIAL | WEIGHT | DIMENSIONS |
|---------------------|-------------|------------------|-------------------------------------|----------------------|---|
| 12VDC (3,9 AMPS) | 90° - 8 SEC | YES | EPOXY UV resistant Alluminium | 2,5 kg (6 pounds) | H 130 mm (5" 3/16) W 260 mm (10" 3/8) D 175 mm (6") |

Glomex is the only marine antenna manufacturer offering you a lifetime warranty (our competitors offer 1, 2 or 5 years warranty). In Glomex's range there are no economic or special series. All the products with lifetime warranty logo are designed and assembled to standards which respect Glomex's lifetime warranty.



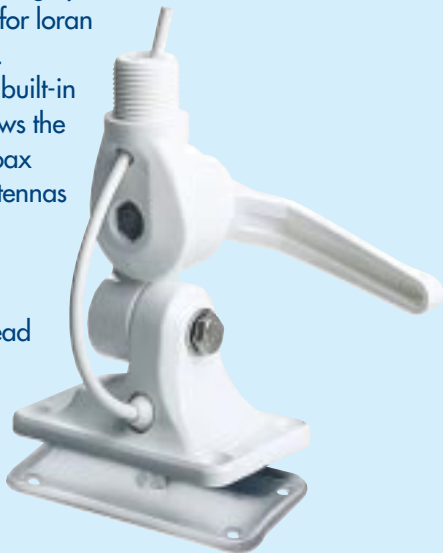
MOUNTS AND ACCESSORIES

DECK

RA115

Ratchet mount reinforced nylon UV resistant. Four way ratchet mount for installation on deck or bulkhead, locking by handle. Hole for loran or GPS cable.

The exclusive built-in feed-thru allows the passage of coax cable. For antennas max 9' in self supporting installation. Standard thread 1"x14".



RA116SS



Ratchet mount polished **stainless steel**.

Four way ratchet mount for installation on deck or bulkhead, locking by handle. Hole for loran or GPS cable. The exclusive built-in feed-thru allows the passage of coax cable. Standard thread 1"x14".

ELECTROPOLISHED

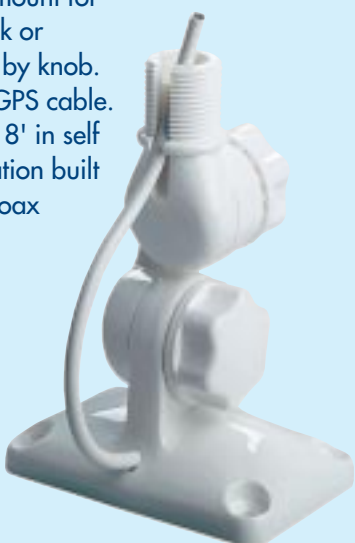


RA135

Ratchet mount reinforced nylon UV resistant.

Four way ratchet mount for installation on deck or bulkhead, locking by knob. Hole for loran or GPS cable. For antennas max 8' in self supporting installation built in feed - thru for coax cable.

Standard thread 1"x14".



RA107SS



Ratchet mount polished **stainless steel**. Four way ratchet mount for installation on deck or bulkhead, locking by clamp. Hole for loran or GPS cable. The exclusive built in feed-thru allow the passage of coax cable. Standard thread 1" x 14".

ELECTROPOLISHED



RA165

Rail ratchet mount **stainless steel**. Ratchet design with hole for loran or GPS cable. Vertical or horizontal installation on rails of 7/8" (22 mm) and 1" (25 mm). Designed for antennas up to eight feet. Standard thread 1"x14".

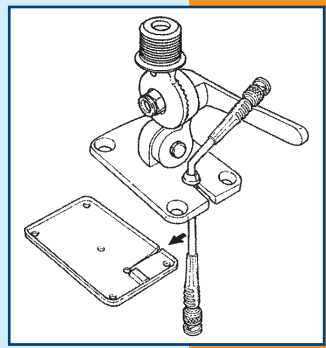
ELECTROPOLISHED



RA166/00

Ratchet mount **stainless steel**. Four way ratchet mount for installation on deck or bulkhead, locking by handle. Hole for loran or GPS cable. For antennas max 8' in self supporting installation built in feed-thru for coax cable. Standard thread 1"x14".

ELECTROPOLISHED



Allow the passage of the GPS and other connectors through the base



MOUNTS AND ACCESSORIES

RAIL

RA125

Rail ratchet mount reinforced nylon U.V. resistant. Ratchet design with hole for loran or GPS cable. Vertical or horizontal installation on rails of 7/8" (22 mm) and 1" (25 mm). Designed for antennas up to eight feet. Standard thread 1"x14.



RA145

Rail mount reinforced nylon U.V. resistant. For installation of GPS antennas on horizontal rails of 7/8" (22 mm) and 1" (25mm), (can be used in addition to RA129 extension). Standard thread 1"x14.



RA134

Rail ratchet mount reinforced nylon U.V. resistant with knob. Ratchet design with hole for loran or GPS cable. Vertical or horizontal installation on rails of 7/8" (22 mm) and 1" (25 mm). Designed for antennas up to 8 feet (2,40 mts). Standard thread 1"x14.



RA147

Rail ratchet mount reinforced nylon U.V. resistant with knob and 4 inches extension (100 mm.). Ratchet design with hole for loran or GPS cable. Vertical or horizontal installation on rails of 7/8" (22 mm) and 1" (25 mm). Designed for antennas up to 8 feet (2,40 mts). Standard thread 1"x14.



RA175

Rail mount reinforced nylon U.V. resistant. For installation of GPS antennas only on horizontal rail of 22 mm (7/8"), 25 mm (1"), and 30 mm, supplied with clamps for all three rail diameters.



Adaptor 30 mm

Adaptor 25 mm (1')



Adaptor 22 mm (7/8")

Glomex is the only marine antenna manufacturer offering you a lifetime warranty (our competitors offer 1, 2 or 5 years warranty). In **Glomex's** range there are no economic or special series. All the products with lifetime warranty logo are designed and assembled to standards which respect **Glomex's lifetime warranty**.

V9175

Universal mount reinforced nylon. For GPS antennas only. Can be used in addition to RA129 extension. Standard thread 1" x 14, weight 50 grs. Height 100 mm. (4")



V9175OT

Universal mount reinforced nylon. For GPS antennas only. Can be used in addition to RA129 extension. Standard thread 1" x 14, weight 27 grs. Height 40 mm. (1 3/8")



RA139

Reinforced nylon 4 way chart plotter mount.



V9174

Universal mount **stainless steel**. For supporting antennas and extensions. Standard thread 1" x 14, weight 240 grs. Height 100 mm. (4").

ELECTROPOLISHED



V9176

L Masthead bracket in **stainless steel**. Height 200 mm. (8").

ELECTROPOLISHED



MOUNTS AND ACCESSORIES

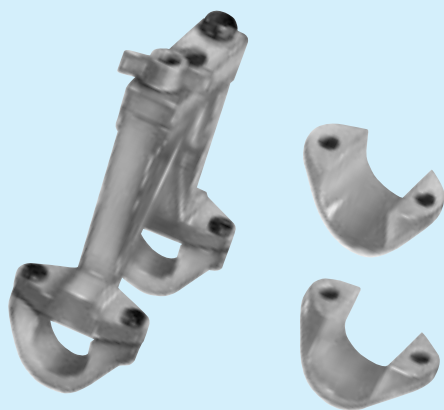


MOUNTS AND ACCESSORIES

V9173

Masthead bracket stainless steel. Standard thread 1" x 14, weight 330 grs.

ELECTROPOLISHED



RA119

Stand-off bracket reinforced nylon. Insulated stand-off bracket for bulhead and rail of Ø 25 mm (1") and 30 mm. Accepts Ø 38,5 mm. (1,5") antennas and its supplied with inserts for extensions diam. 25 mm (1"), 28,5 mm (1" 1/8) and 30 mm.



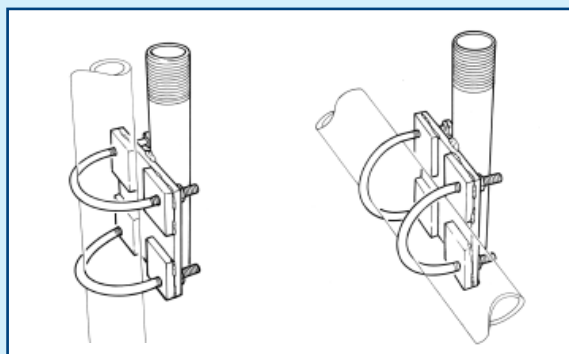
RA179

Wind indicator 380 mm for masthead or VHF Antennas Aloud series.

V9171

Pipe mounting bracket in stainless steel, thread 1"x14. For horizontal and vertical mount. Weight 600 gr. For tubes diam. 25-80 mm.

ELECTROPOLISHED

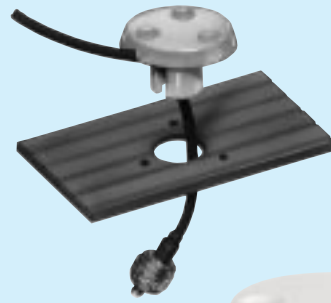
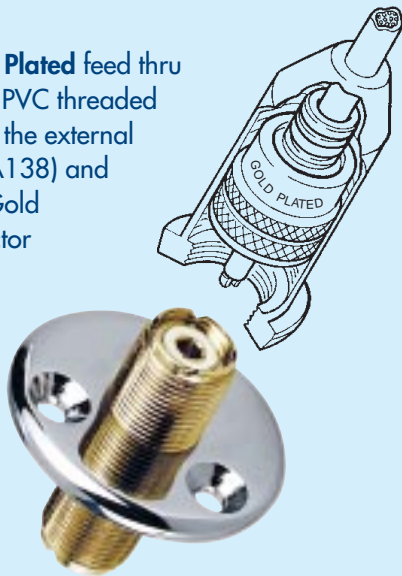




MOUNTS AND ACCESSORIES

RA105

Coaxial **Gold Plated** feed thru supplied with PVC threaded protection for the external connector (RA138) and PL259 Twist Gold Plated connector for total reliability.



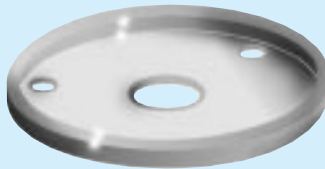
RA140

Nylon Feed -Thru For deck passage of one or two coaxial cables and connectors (RG58 or similar).



V9101

PVC gasket for alluminium surface insulation for V9174 - V9124



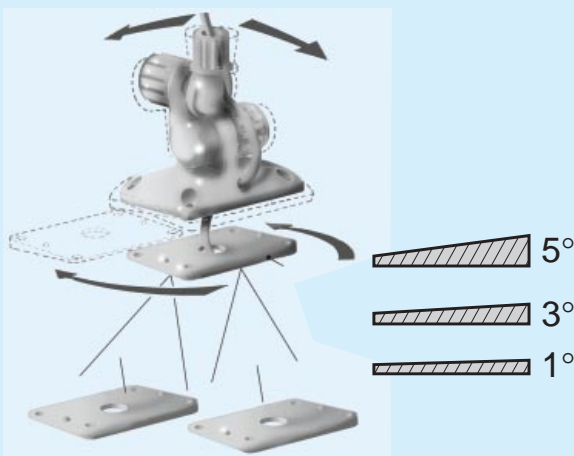
RA138

PVC threaded protection for all size PL259 connectors



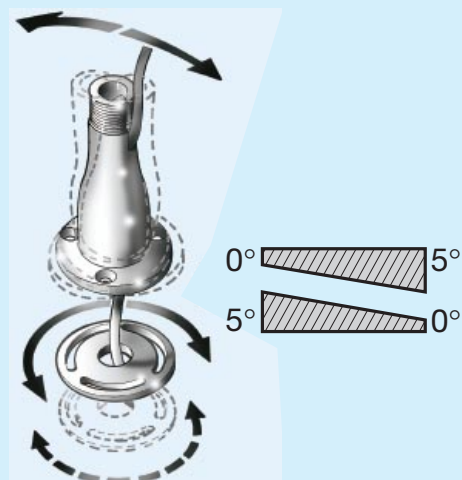
RA101

Set of 3 rectangular wedges for Glomex ratchet mounts to keep the antenna vertical on inclined surfaces.



RA102

Set of 2 round wedges for Glomex universal mounts V9175 - V9174 and V9124 to keep the antenna vertical on inclined surfaces.

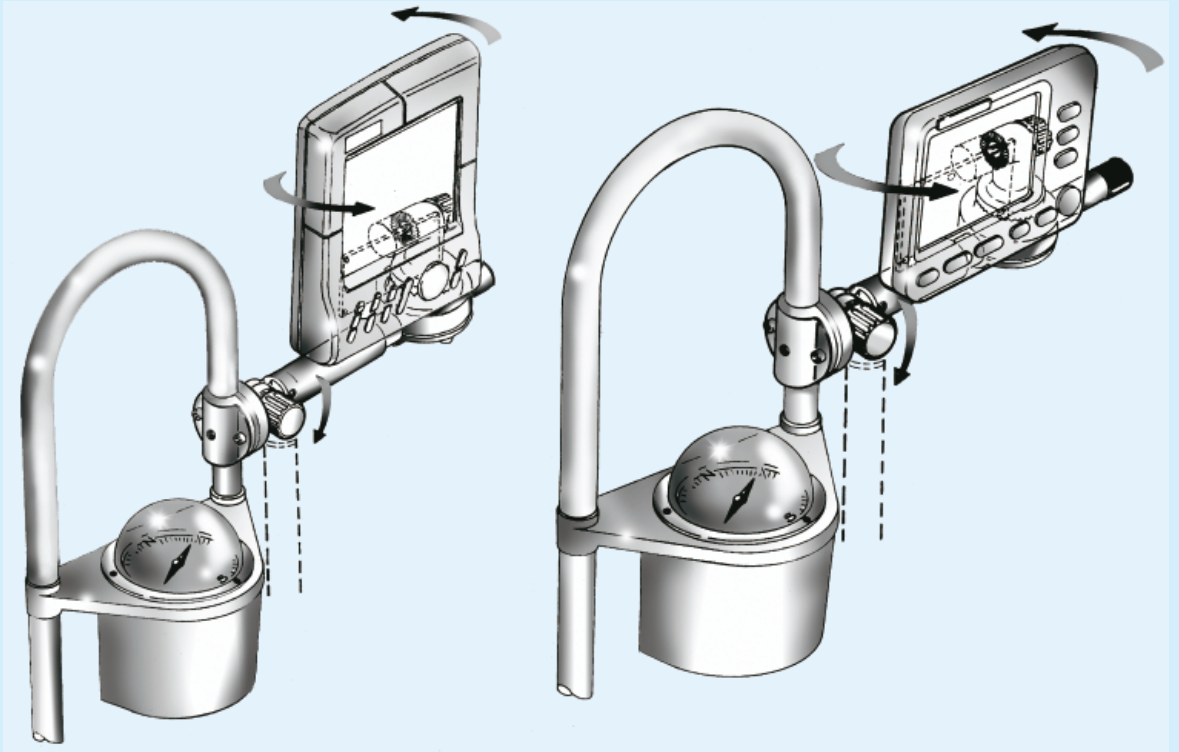


Glomex is the only marine antenna manufacturer offering you a lifetime warranty (our competitors offer 1, 2 or 5 years warranty). In Glomex's range there are no economic or special series. All the products with lifetime warranty logo are designed and assembled to standards which respect Glomex's lifetime warranty.



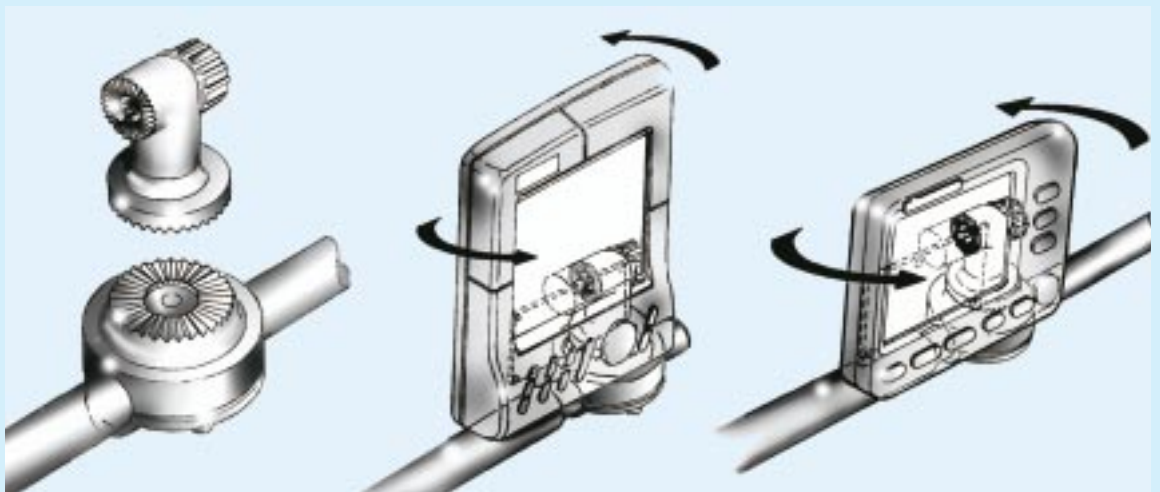
RA136

Kit for installation of electronic chart plotters allows installation of the plotters on a vertical tube diam. 25 mm. (1") and 22 mm. (7/8"). The plotter can be adjusted on the vertical and horizontal axis, when not used the mount can be folded by the swivel rail mount installed on the vertical tube.



RA137

Kit for installation of electronic chart plotters, allows installation of plotters on a horizontal tube diam. 25 mm. (1") and 22 mm. (7/8"). The plotter can be adjusted on the horizontal axis by the ratchet lock UP.



Glomex is the only marine antenna manufacturer offering you a lifetime warranty (our competitors offer 1, 2 or 5 years warranty). In Glomex's range there are no economic or special series. All the products with lifetime warranty logo are designed and assembled to standards which respect Glomex's lifetime warranty.

GROUND PLATES

Glomex Synthesized spherical bronze Ground plates are the necessary interface between electric and electronic board devices and the dissipator element: water. The Bronze micro-spheres realize a huge contact surface with the dissipator element (water), given by the sum of the surfaces of all the bronze spheres; in fact, supported by the porosity of each ground plate, water penetrates into the plates touching the surface of all the spheres. This kind of construction provides more efficiency than the smooth ground plates. Glomex Ground Plates are provided with bolt and spacers done with the same material (bronze) used for the plates, in order to avoid electro-corrosion phenomena.

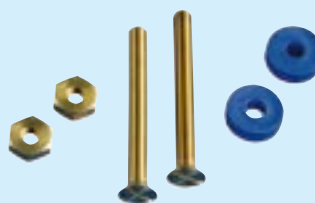


GROUND & BONDING PLATES



RA206

Ø 55 mm. (1 7/8") is conceived for tanks in order to neutralize static electricity on metal tanks or on metal parts on plastic tanks.



Bolts, Screw and Spacers
SUPPLIED



RA202

Ø 128 mm. (5"). Needs only one hole instead of the two needed to install rectangular plates. Surface 1.5 sq/mt

| MODEL | DIMENSION | GROUND AREA EQUIVALENT | WEIGHT | |
|-------|-----------------------------|-------------------------|--------|-------|
| | | | Lbs | Kg |
| RA203 | 155x51x13 6"x2"x1/2" | 1 sq/mt 11,2 sq/ft | 1,2 | 0,52 |
| RA204 | 205x64x13 8"x2 1/2"x1/2" | 1,8 sq/mt 20,2 sq/ft | 1,9 | 0,8 |
| RA205 | 300x80x13 12"x3"x1/2" | 3 sq/mt 39,9 sq/ft | 3,9 | 1,650 |
| RA202 | Ø 128 5" | 1,5 sq/mt 17 sq/ft | 1,4 | 0,6 |
| RA206 | Ø 55 1 7/8" | | 0,3 | 0,12 |

RA203

155 x 51 x 13 mm. (6" x 2" x 1/2"). Surface 1 sq/mt



RA204

205 x 64 x 13 mm. (8" x 2 1/2" x 1/2"). Surface 1.8 sq/mt



RA205

300 x 80 x 13 mm. (12" x 3" x 1/2"). Surface 3 sq/mt





CONNECTORS

RA159

N female to TNC female connector.



RA158

N male connector for RG213/U.



RA132

PL259 male connector for RG58/U. Twist on.



RA132GOLD

PL259 male gold plated connector for RG58/U. Twist on.



RA131

PL259 male connector for RG213/U.



RA132SOLDERLESS

PL259 male gold plated connector for RG58/U. Solderless.



RA131GOLD

PL259 male connector for RG213/U. Gold plated.



RA133

PL258 Double female connector for PL259.



RA155

BNC female to TNC male connector.



RA157

Mini UHF male connector for RG58/U.



V9144

F male gold plated connector for RG59/U and V9135 Glomex coax.



RA156

TNC male connector for RG58/U.



V9146

F 90° connector.



RA163

Connector F/F female



Glomex is the only marine antenna manufacturer offering you a lifetime warranty (our competitors offer 1, 2 or 5 years warranty). In Glomex's range there are no economic or special series. All the products with lifetime warranty logo are designed and assembled to standards which respect Glomex's lifetime warranty.

COAXIAL CABLES

Coaxial cables transmit signals to and from the antenna.

The coax cables depending from the length and the frequency insert an attenuation.

Poor quality cables will dramatically reduce the efficiency of both antenna transceivers.

DURABILITY

All coaxial cables can lose efficiency over time due to humidity, as quickly as just a few months after installation.

Glomex cables are specifically designed and manufactured for use in the marine environment to

withstand the negative effects of humidity as long as possible.

SCREENING

Screening of the coaxial cables is the primary determinant of signal quality.

All Glomex coaxial cables have 100% screening or meet the mil C17 spec.

LOW ATTENUATION

All Glomex cables have been developed in cooperation with coaxial cables especially to insure minimal signal distortion or loss and long term reliability.



COAXIAL CABLES



RA152



RA118



RA117



V9135

Attenuation dB x 100 mt at 20°C

| | 50 MHz | 100 MHz | 200 MHz | 400 MHz | 860 MHz | 1000 MHz | 1750 MHz | 2000 MHz |
|-------|--------|---------|---------|---------|---------|----------|----------|----------|
| RA152 | 8,3 | 11,3 | 15,9 | 23,8 | 38,2 | 42,9 | - | - |
| RA118 | 2,9 | 4,3 | 6,2 | 9,3 | 13,8 | 16,0 | - | - |
| RA117 | 10,4 | 15,1 | 22,3 | 33,8 | 52,0 | 57,8- | - | - |
| V9135 | 4,4 | 5,9 | 8,2 | 12,0 | 17,9 | 20,0 | 27,6 | 29,7 |

| GLOMEX CODE TYPE | RA152 RG58ALL | RA118 RG213/U | RA117 RG58C/U | V9135 333R |
|-------------------------------------|---------------|---------------|---------------|------------|
| Impedance Ohm | 50 ± 2 | 50 ± 2 | 50 ± 2 | 75 ± 2 |
| Capacity pF / m | 82 | 80 | 98 | 80 |
| Speed ratio % | 78 | 80 | 66 | 80 |
| Shield dB 100 - 900 MHz | > 50 | > 80 | > 50 | >80 |
| Structural return-loss dB | >20 | >35 | >35 | >30 |
| MHz 30 - 300 / 300 - 900 | >20 | >28 | >30 | >28 |
| Inner conductor resistance Ohm / Km | 38 | 3,6 | 38 | 18,0 |
| Ohm / Km | 18 | 6,0 | 17 | 21,5 |
| V Max | 1000 | 2500 | 1900 | - |
| Jacket insulation | - | - | - | 0,7 |
| Conductor Diam. mm | 19x0,18 | 2,50 | 19 x 0,18 | 1,55 |
| Material | CUST | CU | CUST | CU |
| Dielectric | PEE | PE | PE | PEE |
| Dielectric diam.mm | 2,95 | 7,0 | 2,95 | 5,0 |
| Shield | AL 3 - CUST | F.CU - CU | AL 3 - CUST | CUST |
| Shield % | 100 | 98 | 98 | 100 |
| Jacket - Type / Diam. mm | PVC - 5,0 | PE - 10,3 | PVC - 5,0 | PVC - 6,7 |
| Minimum folding radius mm | 50 | 130 | 110 | 50 |
| Weight Kg/100m | 3,2 | 12,8 | 3,3 | 3,7 |
| Package mts. | 100 | 100 | 100 | 100 |

LEGEND

| | |
|-------|---------------------------------------|
| CU | = Bare copper |
| CU ST | = Tinned copper |
| CU AG | = Silvered copper 4% |
| AL 3 | = Aluminium tape + aluminium + copper |
| F.CU | = Copper tape |
| AL 2 | = Aluminium + polyester tape |
| PE | = Solid polyetilene |
| PEE | = Foam polyetilene |
| CW | = Copperweld |



DISPLAYER

CODE
GL600

CODE
GL800



You can easily show all the Glomex products on these Glomex displays and improve your antenna and accessory sales. The dimensions of the display are:

GL600
Base Ø 60 cm
Alt. 2,00 mt.

GL800
Alt. 2,10 mt.
Larg. 0,72 mt.
Prof. 0,43 mt.

More information can be obtained by contacting your local distributor or Glomex.

Glomex is the only marine antenna manufacturer offering you a lifetime warranty (our competitors offer 1, 2 or 5 years warranty). In Glomex's range there are no economic or special series. All the products with lifetime warranty logo are designed and assembled to standards which respect Glomex's lifetime warranty.



GENERAL TECHNICAL INFORMATION

GENERAL

Transmitting and/or receiving equipments include three distinct parts, all equally important.

These are: the transceiver, the coaxial cable with its connectors carrying the signal to or from the antenna, the antenna itself.

To the present day cables, connectors and antennas often do not get the attention they deserve. Yet, their functionality has a notable effect on the performance of the whole system.

A wrong antenna, poor quality coax cable or a low quality connector can waste the money spent for good equipment and a careful installation. At every frequency, besides being free from obstacles, the antenna has to meet precise electrical and electronic requirements.

Glomex has always made every effort to develop design and manufacturing qualities to improve antenna performance; besides complying with existing international standards. This means better performance of the entire transceiver system. When choosing an antenna, it is advisable to discuss with your dealer, about all the problems connected with the installation and the type of transceiver. This will let you tackle any problems before they arise. In case this sort of advice is not available, the information provided below should be helpful in selecting the right antenna.

HEIGHT

For VHF and UHF transmissions, range, the higher the antenna is positioned, better are the performances.

Following such instructions it will be easy to make the right choice, original Glomex cables and accessories as well as the correct installation will be then decisive factors for obtaining the best result.

GAIN

It is the most important specs of the antenna. It is indicated in DB; at higher figure corresponds a greater range.

On the other hand, a high gain decreases the radiation pattern; this means that low gain antennas are less influenced by rolling and pitching of a boat; increasing the gain, the movement of the boat may cause a temporary signal's reduction.

These are the reasons why on planing boats it is suggested to install high gain antennas, while on sailboats, with the masthead subject to swaying, the best would be, when ever possible an antenna ground plane (RA108).

POLARIZATION

Each antenna has its own polarization, and also its preferential working plane, to be respected as much as possible.

For example VHF, SSB, Loran, CB and cell-phone antennas have a vertical polarization and

decrease gradually their gain, increasing their inclination; furthermore the factor is influenced by the frequency, gain losses are greater with high frequencies and progressively diminish reducing the frequency.

Accordingly with the great majority of the stations, the TV antennas have a horizontal polarization, it is therefore necessary to install them in such a position.

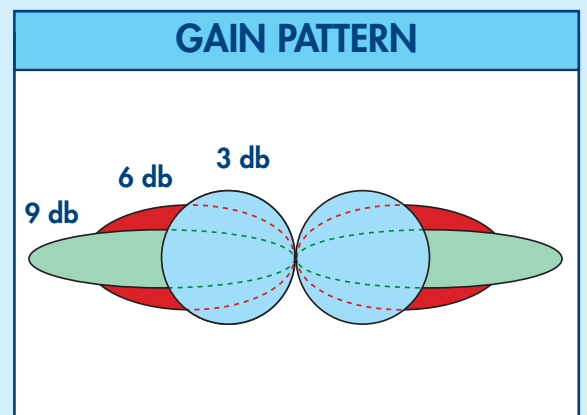
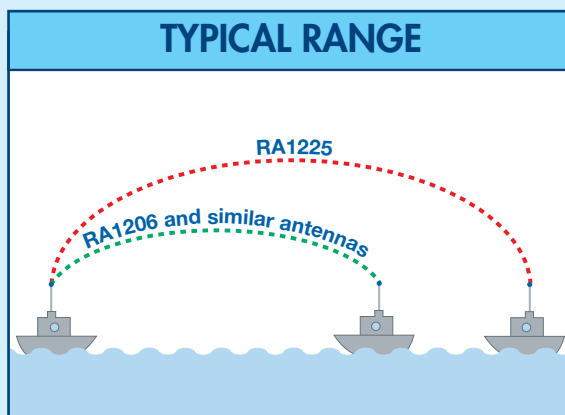
The incidence of motion is less evident with the omnidirectional models; the directional models have a reception angle max 50° that gives excellent performance if the antennas are correctly oriented but can easily loose the signal due to rolling, pitching or inclination.

All this means television antennas must be installed horizontally and other antennas vertical as much as you can.

MOUNTS, ACCESSORIES AND INSTALLATION

Quite often the importance of accessories and installation is neglected. Glomex accessories are carefully conceived to offer the correct solution to any installation problem.

They are the result of long experience and testing, with special attention to the new technologies and to the needs of the utilizers. This catalog provides all the information for the correct choice, your dealer and technician can provide precise specifications.



COAX CABLE CUTTING

Cutting the Glomex antenna coax cable is no problem, just remember that a shorter cable enhance the performance of the antenna.

The cable can be cut following a simple rule, do not cut the cable less than 2 mts (7') on VHF antenna. Avoid to cut the cable on C.B. antennas any problem to cut the coax on TV antennas.

DC GROUND

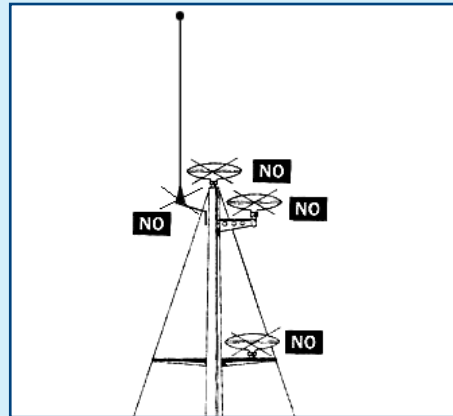
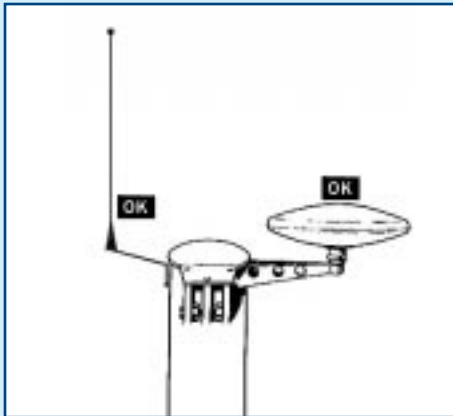
It's referred to the design of the antenna, for avoiding static electricity buildup on the antenna element, in order to reduce the noises on the receiver. When tested with an ohm-meter all Glomex VHF, CELL-PHONE and CB antennas will show continuity. ALL GLOMEX VHF AND CB ANTENNAS HAVE A BUILT-IN GROUND.

SWR (Stationary Wave Return)

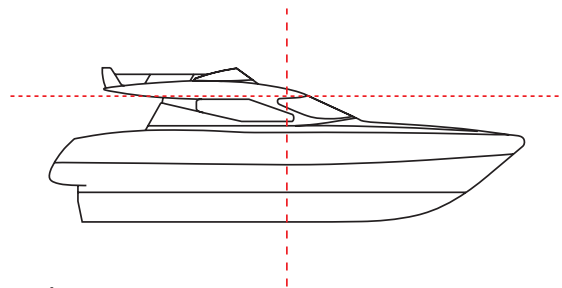
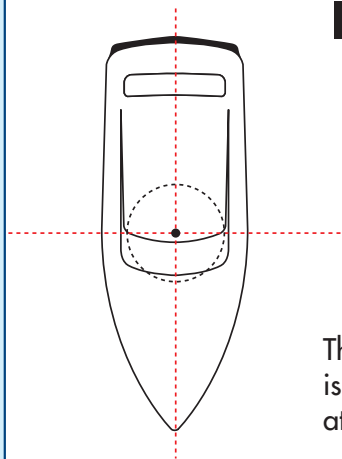
All the SWR ratios indicated in this catalog depend upon antenna location on the boat. All antennas have to be clear in all directions and at least 1 meter away from metallic parts. The SWR, when tested, should not exceed 1:1,3 with the antenna installed on the boat.



GENERAL TECHNICAL INFORMATION



SATELLITE TELEVISION ANTENNAS INSTALLATION BASIC RULES



The best position for the antenna is to center it as low as possible at the center of the boat.





GENERAL TECHNICAL INFORMATION

