

High brightness 7" wide TFT

GPS/WAAS CHART PLOTTER

available with high performance Fish Finder

Models **GP-7000/7000F**

- Sunlight viewable 7" TFT bright color LCD (wide 16:9 aspect ratio)
- Compatible with C-Map NT MAX charts
- Dual SD card slots for memory and chart cards (Conventional SD cards can be used for waypoint/route backup)
- Enhanced chart redraw speed
- Compact GPS/WAAS receiver antenna
- User-friendly interface and operation with rotary encoder and soft keys
- Displays up to 50 AIS targets
- 50/200 kHz, 600 W or 1 kW dual-frequency fish finder (GP-7000F)



GP-7000: GPS/WAAS Chart Plotter
GP-7000F: GPS/WAAS Chart Plotter with Fish Finder

Full-featured GPS / WAAS plotter with exceptional redraw speed and a bright LCD



Sunlight Viewable

For optimum data presentation, the GP-7000 and GP-7000F utilize a display that can be viewed in direct sunlight. It also provides excellent contrast and a wide viewing angle. Special anti-reflective filters enhance the screen to reduce glares on the TFT LCD.



Rotary Encoder

The rotary encoder allows you to perform all the functions of the GP-7000 and GP-7000F with minimal hand movement for simplified operation.



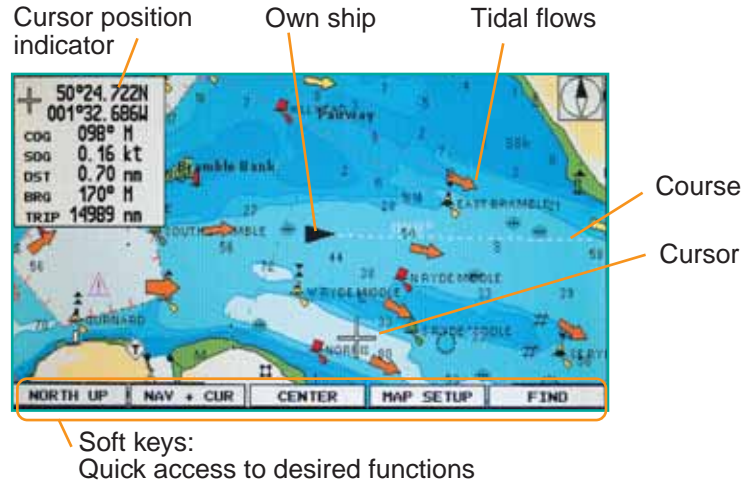
Dual SD card slots

The GP-7000 and GP-7000F provides two SD (Secure Digital) cards slots. Either slot can be used for C-Map NT+ charts or memory storage of Nav data. More than 280,000 waypoints can be stored in a commercial 32 MB card, while the internal memory can store up to 2,000 waypoints.



The GP-7000 and GP-7000F are GPS/WAAS plotters designed for a variety of vessels with video plotting and fish finding capabilities*. With the GP-7000 series, you can see the highly accurate position of your boat on the chart. (*GP-7000F only)

The GP-7000 series has four display modes: Course Plot, Nav Data, Steering, and Highway modes. The course plot mode is useful for obtaining general information about surrounding sea areas. The Nav data mode clearly shows important navigational information with large text, which is easy to see even from a distance. The steering mode and highway mode assist the operator in following a predetermined route.



Soft keys:
Quick access to desired functions



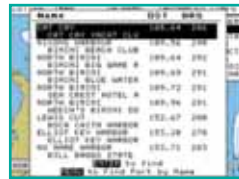
Guardian Technology™

The GP-7000 series uses C-Map NT⁺/NT MAX charts. These charts provide navigational information including water depth, contours, coastlines, lighthouses, buoys, etc. The use of SD cards facilitates the management of large amount of chart data.

The GP-7000 series features unique functions by using C-Map charts. Guardian Technology™ continuously scans the electronic chart data in front of the boat to detect rocks, shoals, obstructions and land areas that could pose a threat if the vessel were to continue along its current course. The search area is user-definable and is identified by a triangle on the screen. Triggering timely and clear alarms, Guardian Technology™ provides a higher level of safety only previously available on commercial navigation systems.



By placing the cursor on a object icon or marks, you can get detailed information about it.



Search and Get detailed information!



C-Map NT⁺/NT MAX charts have a port service list to show which services are available at ports and harbors. The list sorts port name by order of distance from own ship. You can find a more desirable port with desired port service.

AIS Target Display (AIS receiver required)

The GP-7000 series lets you integrate AIS (Automatic Identification System) into the route monitoring. Information about up to 50 AIS targets can be displayed. AIS Targets Display facilitates more comprehensive monitoring of other vessels to improve Navigation Safety.

► Indicates the state of targets with four symbols



GPS Fish Finder GP-7000F

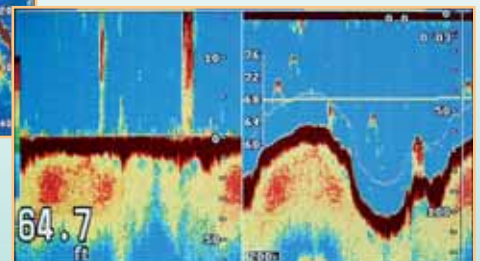
The fish finder function of the GP-7000F graphically depicts underwater conditions, such as fish schools and seabed.

Operating frequency is 50 and 200 kHz with high transmission output power of 600 W or 1 kW. The information can be displayed together with the course plot mode in split screen or by itself on a full screen.



Combination

Bottom discrimination



SPECIFICATIONS OF GP-7000/7000F

REGISTERED NAME

GP-7000 COLOR GPS PLOTTER
GP-7000F COLOR GPS/PLOTTER/SOUNDER

GPS RECEIVER CHARACTERISTICS

Receiver Type Twelve discrete channels, C/A code, all-in-view, Integral WAAS receiver processor
Receive Frequency L1 (1575.42 MHz)
Accuracy GPS: 10 m (95%)
 WAAS: 3 m (95%)
Time to First Fix 12 s (warm start)
Tracking velocity 999 kt
Geodetic System WGS-84

PLOTTER CHARACTERISTICS

Display 7" color LCD, 480 x 234 pixels (wide 16:9 aspect ratio)
Latitude Limits Between 80°N and 80°S
Plot Interval 1, 5, 10, 30 s, 1, 5, 10, 30 m, 1 h
 0.01, 0.05, 0.5, 1.0, 2.0, 5.0, 10.0 nm
Display Modes Course Plot, Nav Data, Steering Display, Highway, Combination with Fish Finder*
 * GP-7000F only
Presentation Modes TM/RM North-up, Course-up, Auto Course-up
Memory Capacity Up to 12,000 points for ship's track points, 2,000 waypoints and 200 planned routes (Max. 35 waypoints/route)
Voyage Planning Waypoint navigation or route navigation
Alarms Arrival/anchor watch, XTE, proximity alert, ship speed, grounding, depth*, water temperature*, fish*
 *GP-7000F — Temperature sensor required for water temp alarm.

AIS Functions (Data input from AIS receiver/transponder is required)

Symbols: Sleeping, Activated, Selected, Lost targets
Number of targets: 50 targets
Interface (NMEA0183 ver.1.5/2.0/3.0)
Outputs: AAM, APB, BOD, BWR, DBT*, DPT*, GGA, GLL, GTD, HDG, MTW*, MWV, RTE, RMA, RMB, RMC, TLL, VHW, VTG, WPL, XTE, ZDA, VHW, HDT, HDG, TLL, DSC, DPT, MTW, MWV, VDM
 *GP-7000F
Inputs: C-Map NT+/NT MAX chart
Electronic Chart Language English, Italian, French, German, Spanish, Norwegian, Swedish, Portuguese, Danish, Finnish, Russian

FISH FINDER (GP-7000F)

Display Modes Normal (single- or dual-frequency), Bottom-lock, Bottom Zoom, Marker Zoom, A-scope, Combination with Plotter

Frequency 50 and 200 kHz
Output Power 600 W/1 kW (specify when ordering)
Basic Ranges 8 basic ranges customized to max 1200 m (4000 ft, 650 fa)
Range Shift Up to 1200 m (4000 ft, 650 fa)

ENVIRONMENT (IEC 60945 test method)

Temperature
Display Unit: -15°C to +55°C (5°F to +131°F)
Antenna Unit: -25°C to +70°C (-13°F to +158°F)

Waterproofing

Display Unit: IPX5 (IEC 60529), CFR46 (USCG)
Antenna Unit: IPX6 (IEC 60529), CFR46 (USCG)

POWER SUPPLY

12 - 24 VDC, 1.5 - 0.8 A

EQUIPMENT LIST

Standard

- | | |
|--|--------|
| 1. Display Unit GP-7000/7000F | 1 unit |
| 2. Antenna Unit GPA-017 with 10 m cable | 1 unit |
| 3. Installation Materials and Standard Spare Parts | 1 set |

Option

- | | |
|--|-------------------------------|
| 1. NMEA Cable with 6-6p connectors | |
| 5 m: | MJ-A6SPF0012-050 |
| 10 m: | MJ-A6SPF0012-100 |
| with 6p connector, 5 m | MJ-A6SPF0003-050 |
| with 7p connector, 5 m | MJ-A7SPF0007-050 |
| 2. External Cable for Antenna Unit, 30/50 m | |
| 3. Antenna Mounting Base | |
| Pipe mount: | CP20-01111 |
| Deck mount: | 13-QA330 |
| Handrail mount: | 13-RC5160 |
| Offset bracket: | 13-QA310 |
| 4. Speed/Temperature Sensor | ST-02MSB, ST-02PSB (GP-7000F) |
| 5. Connector Cable for Speed/Temperature Sensor | |
| 6. Cable between Distribution Box and Display Unit | 02S4089-0 |
| 7. Distribution Box | MB-1000 |
| 8. Innerhull Kit | 22S0191-1 |

Transducers (Specify when ordering GP-7000F)

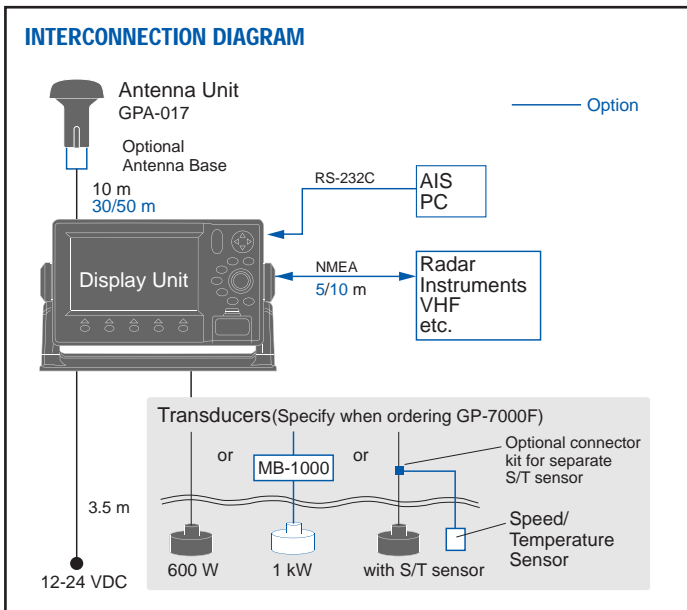
600 W

Plastic, thru-hull: 520-5PSD
 Bronze, thru-hull: 520-5MSD
 Plastic, transom: 525-5PWD

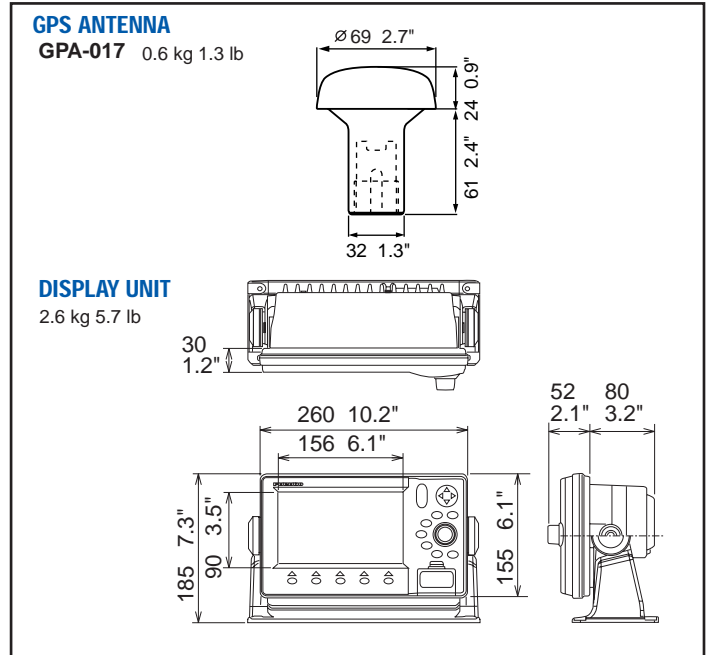
1 kW (Optional matching box required)
 50B-6, 50B-6G, 200B-5, 200B-5S, 50/200-1T

Triducers® (Specify when ordering GP-7000F)

Plastic, Transom: 525ST-PWD
 Bronze, Thru-hull: 525ST-MSD



SPECIFICATIONS SUBJECT TO CHANGE WITHOUT NOTICE



FURUNO U.S.A., INC.
 Camas, Washington, U.S.A.
 Phone: +1 360-834-9300
 Fax: +1 360-834-9400

FURUNO (UK) LIMITED
 Havant, Hampshire, U.K.
 Phone: +44 23 9244 1000
 Fax: +44 23 9248 4316

FURUNO FRANCE S.A.
 Bordeaux-Mérignac, France
 Phone: +33 5 56 13 48 00
 Fax: +33 5 56 13 48 01

FURUNO ESPAÑA S.A.
 Madrid, Spain
 Phone: +34 91-725-90-88
 Fax: +34 91-725-98-97

FURUNO DANMARK AS
 Hvidovre, Denmark
 Phone: +45 36 77 45 00
 Fax: +45 36 77 45 01

FURUNO NORGE A/S
 Ålesund, Norway
 Phone: +47 70 102950
 Fax: +47 70 102951

FURUNO SVERIGE AB
 Västra Frölunda, Sweden
 Phone: +46 31-7098940
 Fax: +46 31-497093

FURUNO FINLAND OY
 Espoo, Finland
 Phone: +358 9 4355 670
 Fax: +358 9 4355 6710

FURUNO POLSKA Sp. z o.o.
 Gdynia, Poland
 Phone: +48 58 669 02 20
 Fax: +48 58 669 02 21

FURUNO DEUTSCHLAND GmbH
 Rellingen, Germany
 Phone: +49 4101 838 0
 Fax: +49 4101 838 111

LLC "FURUNO EURUS"
 St. Petersburg, Russian Federation
 Phone: +7 812 767 15 92
 Fax: +7 812 766 55 52

0612XN Printed in Japan

